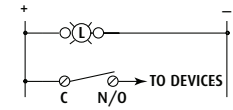
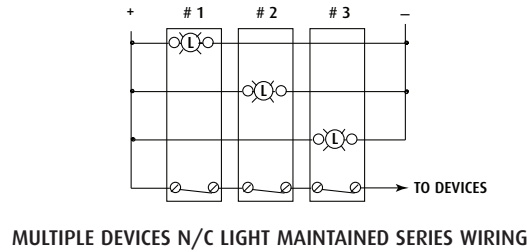
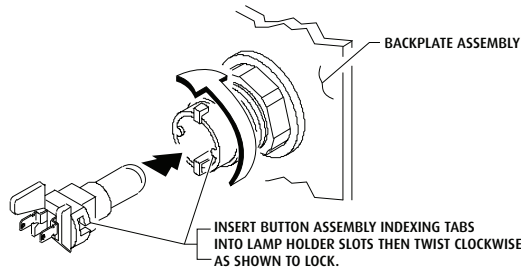




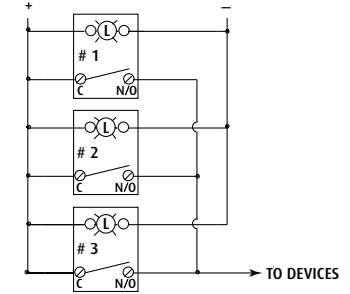
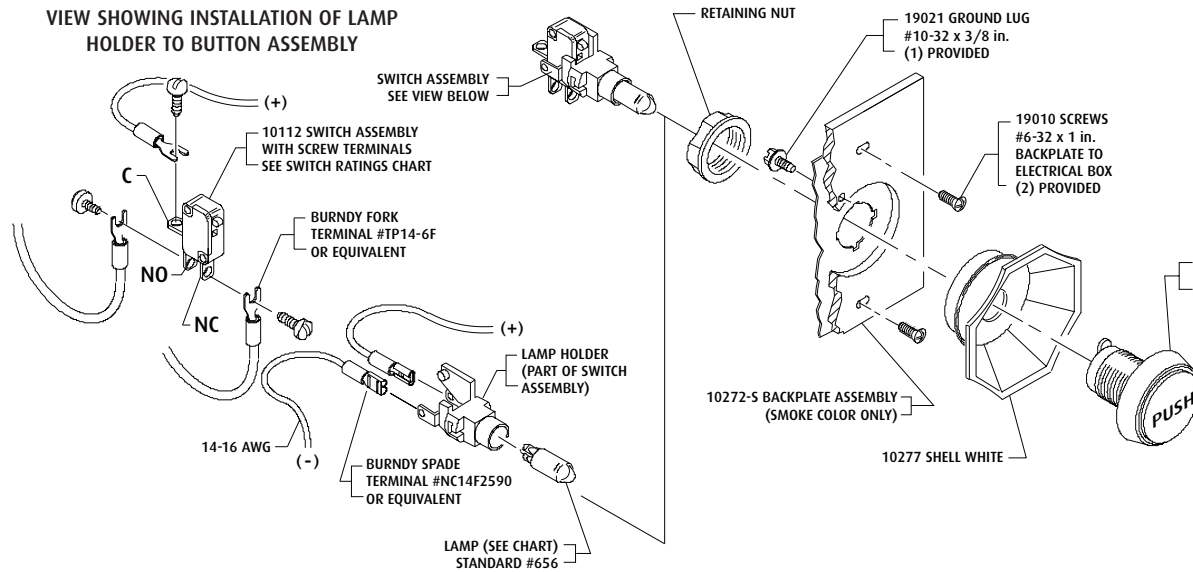
Safety Technology International, Inc.
 2306 Airport Road • Waterford, Michigan 48327-1209
 Phone: 248-673-9898 • Fax: 248-673-1246
 Toll Free: 800-888-4784 • E-mail: info@sti-usa.com
 Web: www.sti-usa.com

Safety Technology International (Europe) Ltd.
 Unit 49G Pipers Road • Park Farm Industrial Estate • Redditch
 Worcestershire • B98 0HU • England • Tel: 44 (0) 1527 520 999
 Fax: 44 (0) 1527 501 999 • Freephone: 0800 085 1678 (UK only)
 E-mail: info@sti-europe.com • Web: www.sti-europe.com

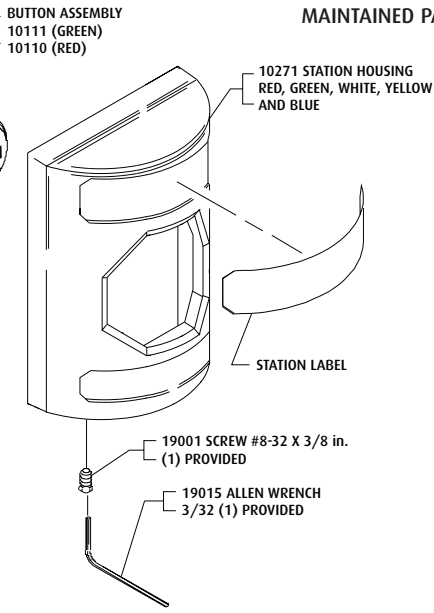


**SINGLE DEVICE LIGHT
 MAINTAINED FOR LAMP VOLTAGE
 SEE CHART BELOW**

**VIEW SHOWING INSTALLATION OF LAMP
 HOLDER TO BUTTON ASSEMBLY**



**MULTIPLE DEVICES N/O LIGHT
 MAINTAINED PARALLEL WIRING**



***SS-2XX7/LTLUL NOTES:** For access control installations, power for the LT-1UL Timer must be supplied by a power source listed to UL294. When used for access control, this device shall be used as part of an access controlled egress door system. It is up to the local AHJ to allow use of this device in place of an automatic sensor. For higher security installations, lower time limits should be used. For SS-2XX7/LTLUL the enclosed timer is to be used and installed per the enclosed LT-1UL installation sheet. SS-2XX7/LTLUL maximum rating 30 VDC 3A.

TERMINAL BLOCK LEGEND SWITCH RATINGS CHART LAMP CHART

NO - NORMALLY OPEN
NC - NORMALLY CLOSED
C - COMMON

10A, 1/2 HP, 125/250 VAC 6A, 30 VDC MODELS WITH LT-1 TIMER: FORM C CONTACTS RATED 120 VAC, 3A 28 VDC, 3A

TYPE	BASE	VOLTS	WATTS	AMPS	RADION PT. NO. OR EQUIVALENT	AVERAGE LIFE (Hrs.)
FILAMENT	T3-1/4 WEDGE	6.3	1.57	0.25	50N8079 / #555	3000
FILAMENT	T3-1/4 WEDGE	14	1.12	0.08	#658	15,000
FILAMENT	T3-1/4 WEDGE	28	1.68	0.06	50N8109 / #656	2500

INSTALLATION OF SS-2007 SERIES STOPPER® STATION

All specifications and information shown were current as of publication, and are subject to change without notice.

