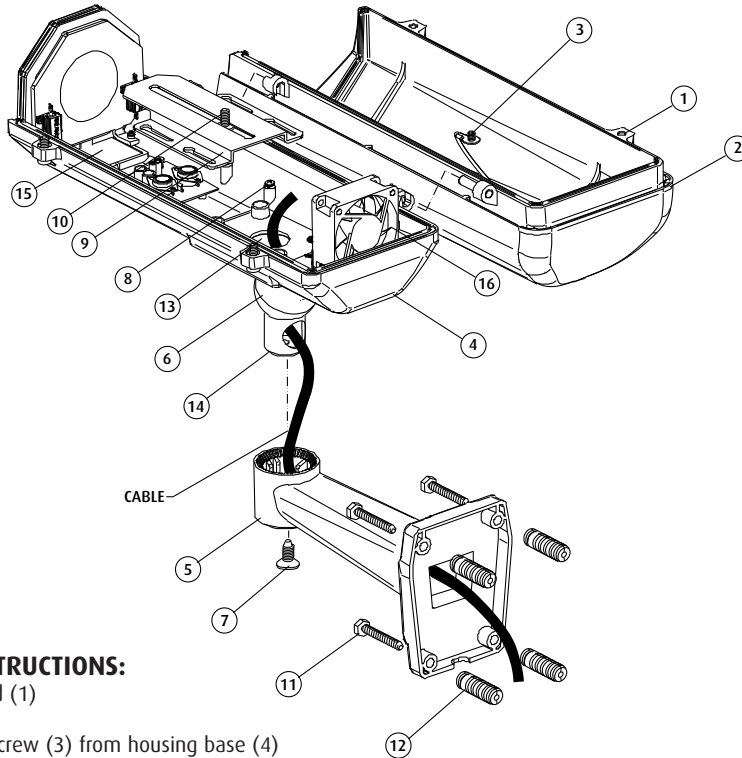




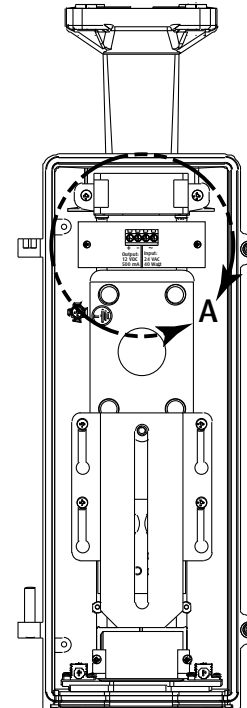
Safety Technology International, Inc.
 2306 Airport Road • Waterford, Michigan 48327-1209
 Phone: 248-673-9898 • Fax: 248-673-1246
 Toll Free: 800-888-4784 • E-mail: info@sti-usa.com
 Web: www.sti-usa.com

Safety Technology International (Europe) Ltd.
 Unit 49G Pipers Road • Park Farm Industrial Estate • Redditch
 Worcestershire • B98 0HU • England • Tel: 44 (0) 1527 520 999
 Fax: 44 (0) 1527 501 999 • Freephone: 0800 085 1678 (UK only)
 E-mail: info@sti-europe.com • Web: www.sti-europe.com



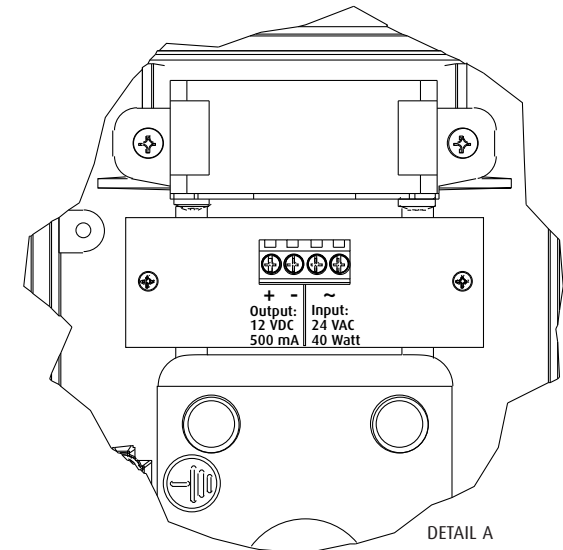
INSTALLATION INSTRUCTIONS:

1. Remove housing lid (1)
 - a. Open lid
 - b. Remove tether screw (3) from housing base (4)
 - c. Slide lid toward rear of housing and lift off
2. Remove mounting bracket arm (5) from bracket plate (6) by removing angle positioning screw (7)
3. Loosen but do not remove, 4 screws (8) holding the camera mounting plate (9). Remove plate. Attach the camera to the plate using the screw provided (10).
4. Install the camera and mounting plate into the housing, position the camera to the glass, and tighten the 4 screws.
5. Pull cables through bracket arm and mount the bracket arm to the wall using lag bolts (11) (lag shields (12) are for use in masonry walls only).
6. Cut a small slit in protective gasket (13) inside the housing base for the wires to enter the housing.
7. Route the wires through the bracket pivot (14) (make sure the hole in the pivot faces toward the wall to allow clear passage of the wires) and up into the housing
8. Place housing on bracket arm and install angle positioning screw into pivot. Adjust to proper angle before tightening.
9. Replace cover and tether from step 1.
10. If required foam pads are provided to block sprayed water from entering into the housing through the front screen (15) and rear screen under fan (16). Caution is advised when blocking fresh air screens since moisture may build up inside housing.



CONNECTIONS:

1. Connect 24 VAC, 40 Watt power supply to input terminals.
2. 12 VDC, 500 mA output can power most cameras.
Refer to camera manufacturer's specifications.



SPECIFICATIONS:

Input: 24 VAC, 40 Watts
 Output: 12 VDC, 500mA

Power
 Fan: 12 VDC, 1.3 W
 Heater: 15 W @ 24VAC

High Ambient Temperature:
 Fan "ON" @ 95°F ± 6°(35°C ± 3°)
 Fan "OFF" @ 72°F ± 5°(22°C ± 4°)

Low Ambient Temperature:
 Fan & Heat "ON" @ 50°F ± 6°(10°C ± 4°)
 Fan & Heat "OFF" @ 68°F ± 3° (20° ± 3°)

Weight without Camera:
 9.2lbs.(4.18kg)

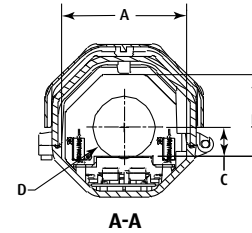
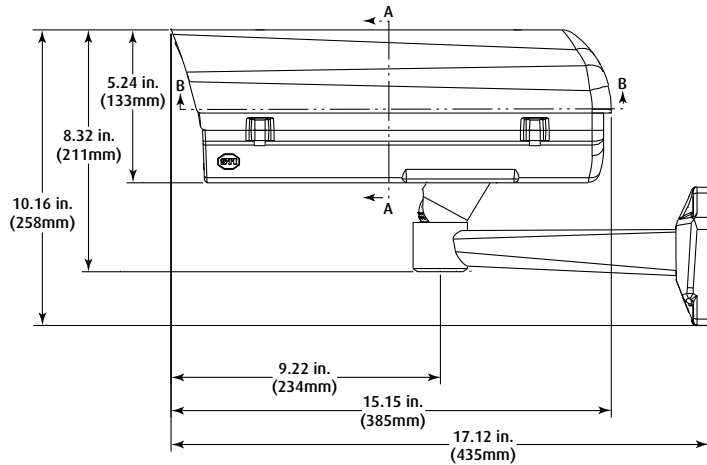
INSTALLATION OF STI-7150K CCTV HOUSING - DIE CAST HEAVY DUTY

All specifications and information shown were current as of publication, and are subject to change without notice.

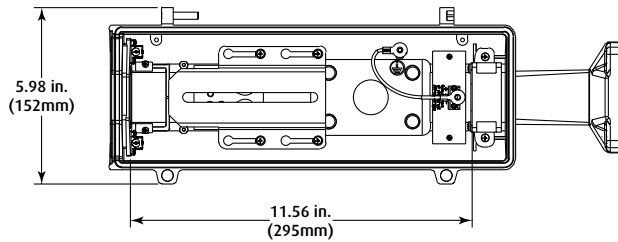
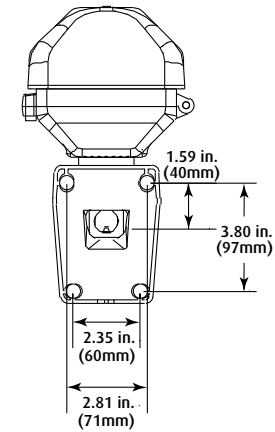


Safety Technology International, Inc.
 2306 Airport Road • Waterford, Michigan 48327-1209
 Phone: 248-673-9898 • Fax: 248-673-1246
 Toll Free: 800-888-4784 • E-mail: info@sti-usa.com
 Web: www.sti-usa.com

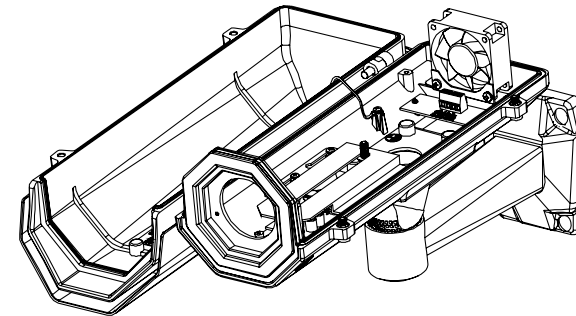
Safety Technology International (Europe) Ltd.
 Unit 49G Pipers Road • Park Farm Industrial Estate • Redditch
 Worcestershire • B98 0HU • England • Tel: 44 (0) 1527 520 999
 Fax: 44 (0) 1527 501 999 • Freephone: 0800 085 1678 (UK only)
 E-mail: info@sti-europe.com • Web: www.sti-europe.com



INTERNAL DIMENSIONS	
A Overall Width	4.31 in.(109.5mm)
B Maximum Height	2.83 in.(72mm)
C Height from Mounting Base to Center Lens Opening	.97 in.(25mm)
D Lens Diameter	2.12 in.(54mm)



**B-B
COVER REMOVED**



INSTALLATION OF STI-7150K CCTV HOUSING - DIE CAST HEAVY DUTY

All specifications and information shown were current as of publication, and are subject to change without notice.