

INSTALLATION AND SERVICE INSTRUCTIONS



ADA
Compliant

STOPPER STATION SERIES SS-2002F PUSH BUTTONS KEY TO RESET



Key Reset Models
SS-2002F Red

ALL MODELS COME WITH A COLOR
MATCHED SURFACE MOUNT BACKBOX

Safety Technology International, Inc.

2306 Airport Rd • Waterford, MI 48327
Phone: 248-673-9898 • Fax: 248-673-1246
800-888-4STI (4784) • www.sti-usa.com

Safety Technology International (Europe) Ltd.

Unit 49G Pipers Road • Park Farm Industrial Estate • Redditch
Worcestershire • B98 0HU • England • Tel: 44 (0) 1527 520 999
Fax: 44 (0) 1527 501 999 • Freephone: 0800 085 1678 (UK only)
E-mail: info@sti-europe.com • Web: www.sti-europe.com

Installation and Service Instructions

STOPPER STATION SERIES 2002F PUSH BUTTON

SAFETY NOTICE TO INSTALLERS AND USERS

This push button has been tested according to UL38 and UL2017. Manual fire alarm stations are listed in UL category UNIU and non-fire alarm initiating devices are listed in UL category UEHX. It is important to read, understand and follow all instructions provided with this product. It is the installer's responsibility to comply with NFPA72 and 101, NEC, mounting specifications according to ADA and other applicable fire and electrical codes. After installation and testing are complete, provide a copy of this manual to all personnel responsible for testing and maintenance of this product. To avoid electrical shock, DO NOT attempt to install this product when power is on. For outdoor usage, STI-6525 or STI-6535 Mini Weather Stopper Cover is required.

I. GENERAL

Product Dimensions	See page 7
Switch Rating	2 Form C contacts 125/250 VAC, 10 A, 1/2 HP 30 VDC, 6 A

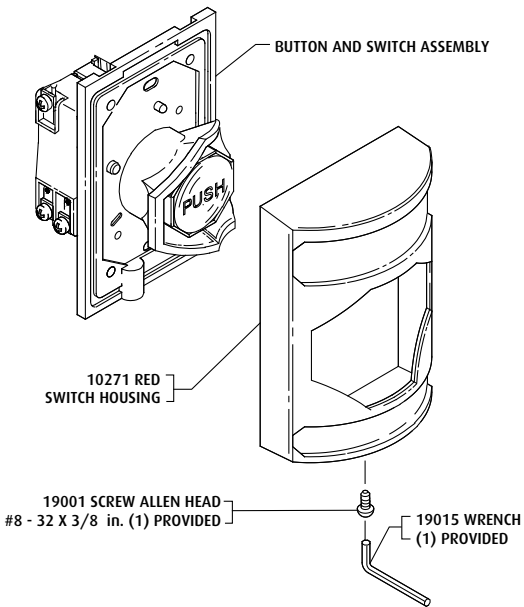
II. CONTENTS LIST

QTY.	DESCRIPTION
1	Push Button Housing Assembly
1	201009 Reset Key
1	19001 Allen Head Screw #8-32 x 3/8 in.
1	19015 Allen Wrench 3/32 in.
4	19068 Screw 3.5mm x 13mm
2	19060 Screw #6-32 x 1 in.
1	19021 Ground Screw
4	19039 #6 x 1 1/4 in. SS SMS
4	19018 Plastic Screw Anchor
1	71100A Surface Backbox
1	Warranty Card

III. INSTRUCTIONS

Housing Removal	Page 2
Backbox Preparation	Page 3
Wire Connections	Page 4
Installation	Page 5
Key Reset Procedure.....	Page 6
Product Dimensions	Page 7

HOUSING REMOVAL

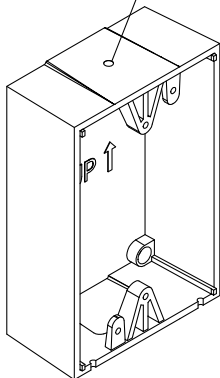


REMOVE SCREW. PULL BOTTOM OF HOUSING OUT AND LIFT UP UNTIL TABS ARE RELEASED FROM SLOTS IN BUTTON AND SWITCH ASSEMBLY.

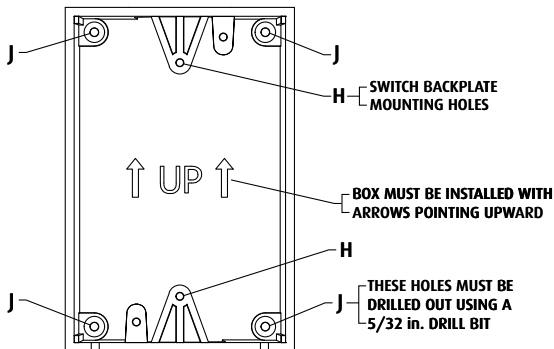
BACKBOX PREPARATION

(NOT INCLUDED WITH FLUSH MOUNT COVERS)

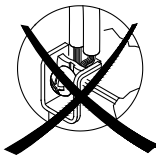
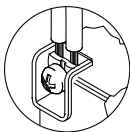
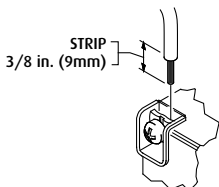
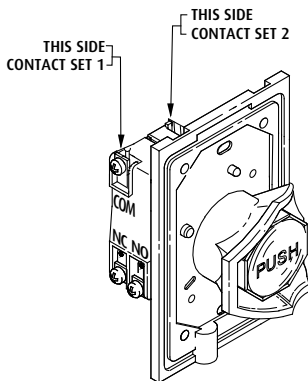
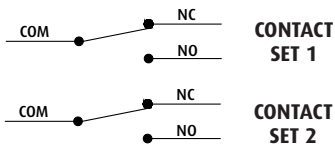
DRILL POINT LOCATIONS PROVIDED
TOP AND BOTTOM FOR 1/2 in.
CONDUIT FITTINGS.
DRILL AS NEEDED



FIELD DRILLING FOR CONDUIT ENTRY IS
REQUIRED. LOCATIONS SHOWN ALSO
APPLY TO OPPOSITE, PARALLEL SIDE.



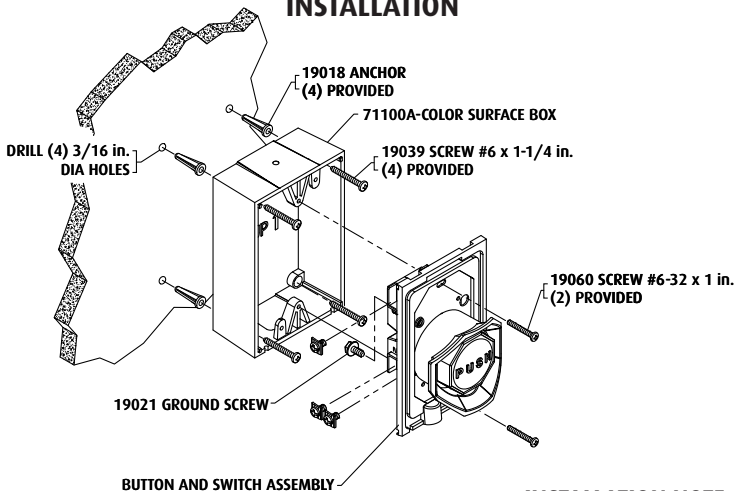
WIRE CONNECTIONS



**CORRECT METHOD OF
INSERTING MULTIPLE LEADS
(1 WIRE EACH
SIDE OF SCREW)**

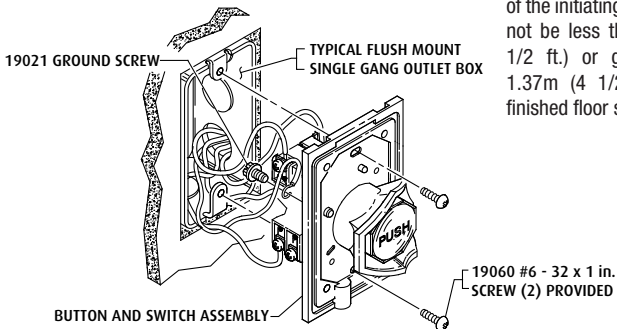
**INCORRECT METHOD OF
INSERTING MULTIPLE LEADS
(BOTH WIRES ON
ONE SIDE OF SCREW)**

INSTALLATION

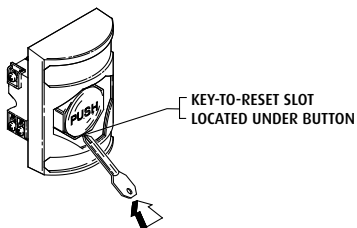


INSTALLATION NOTE:

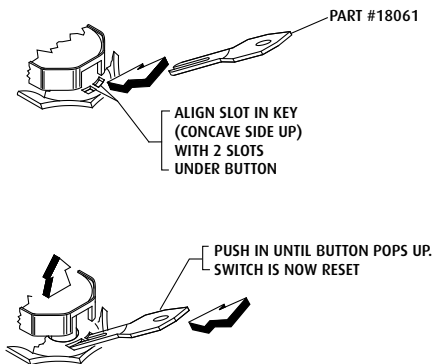
ADA mounting compliance requires the operable part of the initiating device shall not be less than 1.1m (3 1/2 ft.) or greater than 1.37m (4 1/2 ft.) above finished floor service.



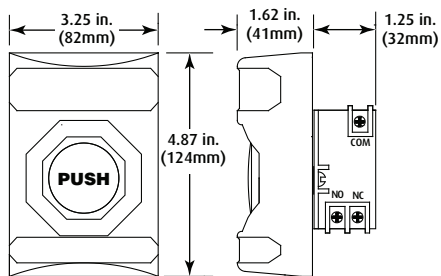
KEY RESET PROCEDURE



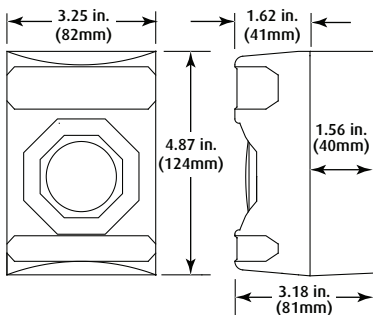
VIEW IN DIRECTION OF ARROW A



PRODUCT DIMENSIONS



**PRODUCT DIMENSIONS
ALL MODELS
WITHOUT BACKBOX**



**PRODUCT DIMENSIONS
ALL MODELS WITH BACKBOX**