



ADA
Compliant

**STOPPER® STATION
SERIES SS-2008
PUSH BUTTON
PNEUMATIC TIMER BUTTON**



Pneumatic Timer Model

SS-2008	Red
SS-2108	Green
SS-2208	Yellow
SS-2308	White
SS-2408	Blue

**ALL MODELS COME WITH A
COLOR MATCHED SURFACE
MOUNT BACKBOX**

This push button has been tested according to UL38 and UL2017. Manual fire alarm stations are listed in UL category UNIU and non-fire alarm initiating devices are listed in UL category UEHX. It is important to read, understand and follow all instructions provided with this product. It is the installer's responsibility to comply with NFPA72 and 101, NEC, mounting specifications according to ADA and other applicable fire and electrical codes. After installation and testing are complete, provide a copy of this manual to all personnel responsible for testing and maintenance of this product. To avoid electrical shock, DO NOT attempt to install this product when power is on.

Installation and Service Instructions
STOPPER® STATION SERIES SS-2008
PUSH BUTTON PNEUMATIC TIMER
SAFETY NOTICE TO INSTALLERS AND USERS

I. GENERAL

Product Dimensions	See page 3
Contact Rating	One set NO and one set NC Rated at 10 AMP @ 240 VAC Recognized component listing is 1,000,000 cycles

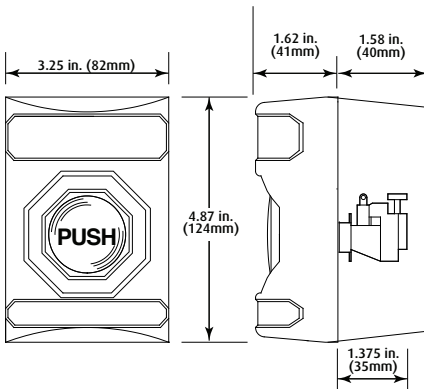
II. CONTENTS LIST

QTY.	DESCRIPTION
1	Push Button Housing Assembly
1	19001 Allen Head Screw #8-32 x 3/8 in.
1	19015 Allen Wrench 3/32 in.
4	19068 #6 x 5/8 in. hi-low screw
2	19060 Screw #6-32 x 1 in.
1	19021 Ground Screw
4	19039 #6 x 1 1/4 in. SS SMS
4	19018 Plastic Screw Anchor
1	71100A Surface Backbox
1	Warranty Card

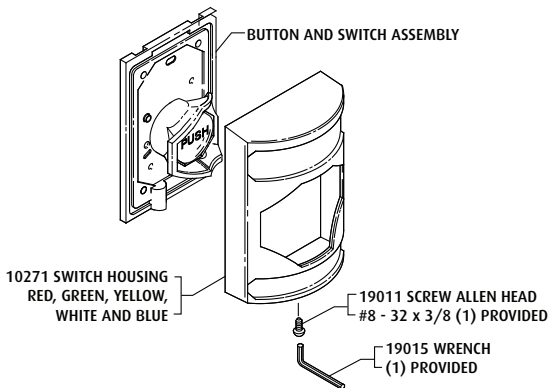
III. INSTRUCTIONS

Product Dimensions	Page 3
Front Housing Removal	Page 3
Backbox Preparation	Page 4
Switch Contact Diagram.....	Page 5
Switch Data.....	Page 5
Installation	Page 6

PRODUCT DIMENSIONS



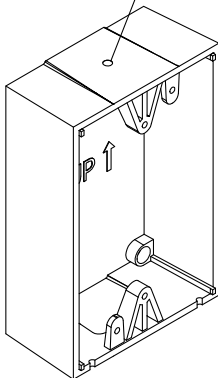
VIEW SHOWING FRONT HOUSING REMOVAL



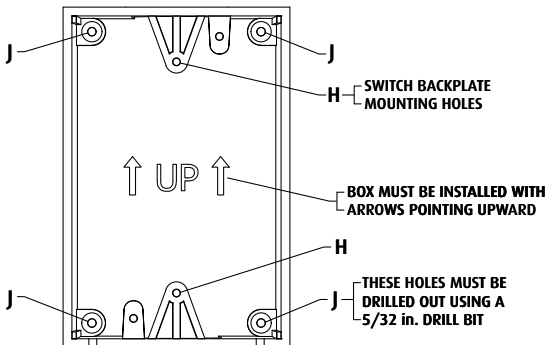
BACKBOX PREPARATION

(NOT INCLUDED WITH FLUSH MOUNT COVERS)

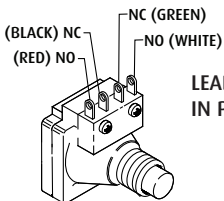
DRILL POINT LOCATIONS PROVIDED
TOP AND BOTTOM FOR 1/2 in.
CONDUIT FITTINGS.
DRILL AS NEEDED



FIELD DRILLING FOR CONDUIT
ENTRY IS REQUIRED. LOCATIONS
SHOWN ALSO APPLY TO OPPOSITE,
PARALLEL SIDES.



CONTACT DIAGRAM



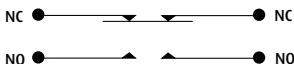
LEAD WIRE COLORS
IN PARENTHESIS.

INSTALLATION NOTE:

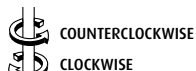
ADA mounting compliance requires the operable part of the initiating device shall not be less than 1.1m (3 1/2 ft.) or greater than 1.37m (4 1/2 ft.) above finished floor service.

CONTACTS

One set NO and one set NC



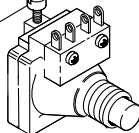
SWITCH INFORMATION



TIMER RANGE ADJUSTMENT SCREW
ADJUSTMENT RANGE - 2 TO 60 SECONDS

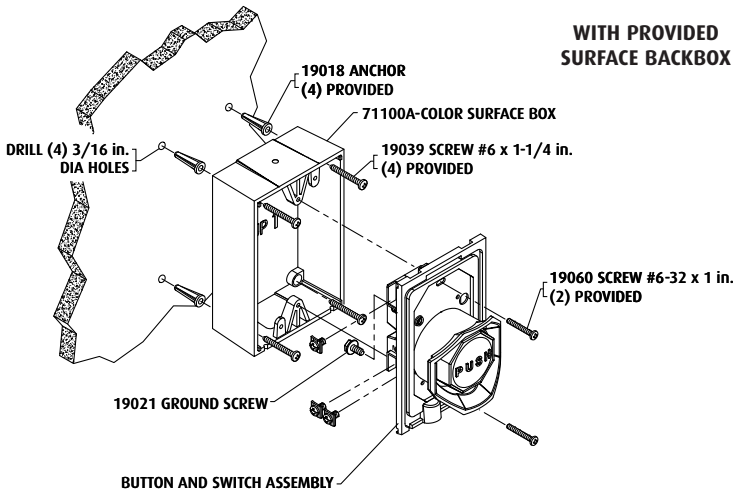
TIMER FACTORY SET TO MINIMUM TIME SETTING. TO INCREASE TIME, TURN SCREW CLOCKWISE IN 1/4 TURN INCREMENTS. WHEN CLOSE TO DESIRED TIME, TURN SCREW IN VERY FINE INCREMENTS TO DESIRED SETTING.

CAUTION: OVER-TIGHTENING MAY CAUSE DAMAGE TO TIMER.

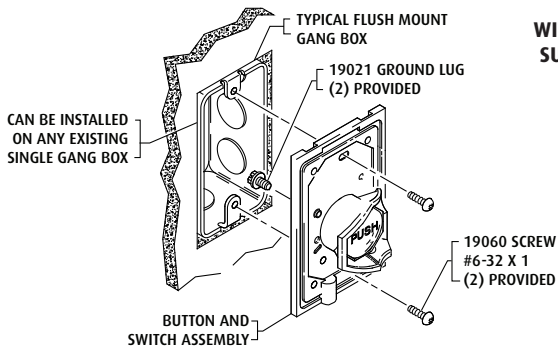


INSTALLATION

WITH PROVIDED SURFACE BACKBOX



WITHOUT PROVIDED SURFACE BACKBOX





Safety Technology International, Inc.

2306 Airport Rd • Waterford, MI 48327

Phone: 248-673-9898 • Fax: 248-673-1246

800-888-4STI (4784) • www.sti-usa.com

Safety Technology International (Europe) Ltd.

Unit 49G Pipers Road • Park Farm Industrial Estate • Redditch
Worcestershire • B98 0HU • England • Tel: 44 (0) 1527 520 999

Fax: 44 (0) 1527 501 999 • Freephone: 0800 085 1678 (UK only)

E-mail: info@sti-europe.com • Web: www.sti-europe.com