

INSTALLATION INSTRUCTIONS

UB-1 UNIVERSAL BUTTON

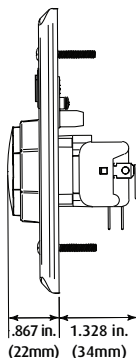
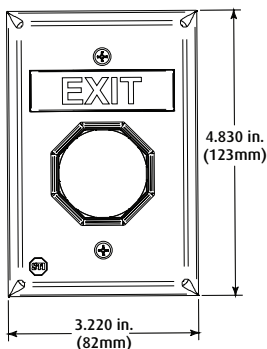
UB-1/LTUL Universal Button with Latching Timer



NOTE: For UB-1/LTUL the enclosed timer is to be used and installed per the enclosed LT-1UL installation sheet. For access control installations, power for the LT-1UL Timer must be supplied by a power source listed to UL294. When used for access control, this device shall be used as part of an access controlled egress door system. It is up to the local AHJ to allow use of this device in place of an automatic sensor. For higher security installations, lower time limits should be used.

NOTES:

It is important to read, understand and follow all instructions provided with this product. It is the installer's responsibility to comply with NFPA 70 & 101, NEC, mounting specifications according to ADA and other applicable electrical codes. For Type SM (Self Monitored) rating, the term Emergency message may be installed on Model UB-1 when used in a system with a Listed, compatible Releasing Device. All other applications are rated Type NM (Non-Monitored) for non-emergency signaling. To avoid electrical shock, DO NOT attempt to install this product when power is on. ADA mounting compliance requires the operable part of the initiating device shall not be less than 3 1/2 ft. (1.1m) or greater than 4 1/2 ft. (1.37m) above finished floor surface. After installation and testing are complete, provide a copy of this manual to all personnel responsible for testing and maintenance of this product.



SWITCH RATING:

2 Momentary Independent Form "C" contacts

UB-1/rated at: 10A, 1/2 HP, 125/250 VAC

6A, 30 VDC

100,000 Operations

Temperature: -40° to 185°F (-40° to 85°C)

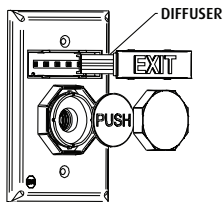
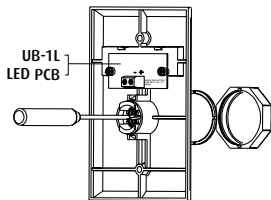
Model UB-1/LTUL

Form C contacts on

Timer rated:

30 VDC 3A

1 TO CHANGE BUTTON COLOR AND ROUND MESSAGE

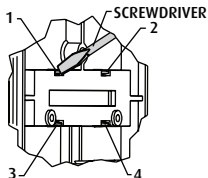
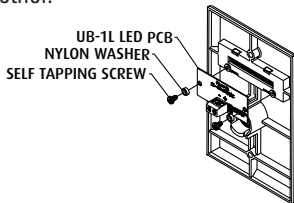


1. Choose button message and color. If same as existing, proceed to **2**
2. If choosing a new message, remove button. On the back side of the plate, push a screwdriver through the actuator tunnel and force the lens and button message off.
3. Choose button message. Blank plate is available for your custom message.
 - a. Insert button message, align 4 notches on actuator.
 - b. Select color lens. Align top and bottom notches with tabs on actuator and push until it snaps together.

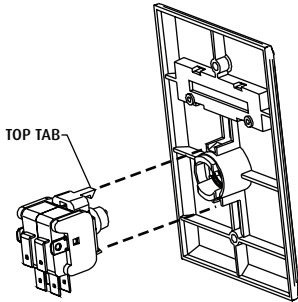
2 CHANGE TOP MESSAGE

Refer to notes on pg. 2 for "EMERGENCY" message use.

1. Remove LED circuit board.
2. Remove current message by pushing in and down on tabs 1 and 2 with a small screwdriver. If necessary, also push in and down on tabs 3 and 4. Once message is loose, remove from the front of the plate.
3. Select new message and snap into place. Blank plates are included to create your own custom message.



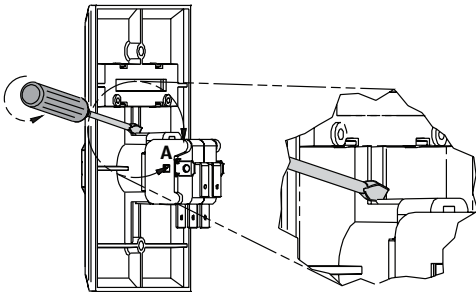
3 INSTALL OR REMOVE CONTACT BLOCK



CONTACT INSTALLATION

INSTALL

To attach, align tabs (as shown) and gently snap **top, then bottom**. Be sure to hear **BOTH** tabs snap into place. (Can be reversed if wiring comes from the top of the box.)



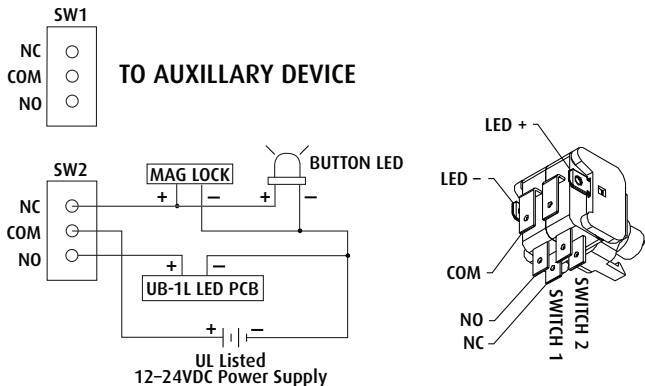
CONTACT REMOVAL
DETAIL A

REMOVE

To remove, use a small flat blade screwdriver. Position screwdriver blade under tab and gently rotate screwdriver until tab disengages. Repeat for opposite tab.

4 ATTACH POWER FOR LED (IF DESIRED)

(See drawing)



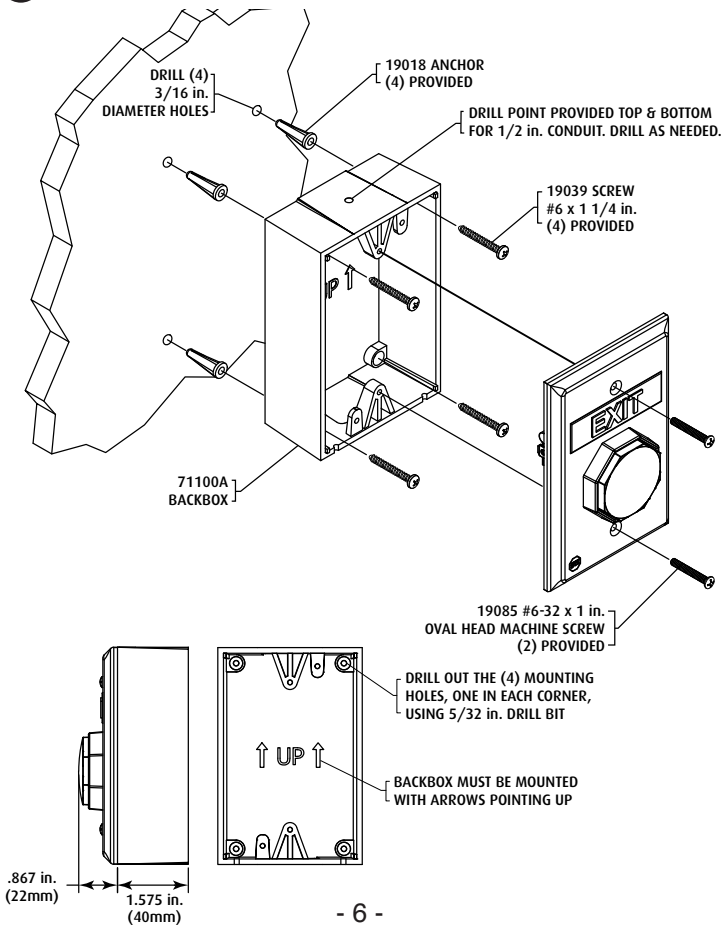
	<u>NORMAL POSITION</u>	<u>BUTTON ACTIVATED</u>
--	------------------------	-------------------------

MAGNETIC LOCK	ON	OFF
BUTTON LAMP	ON	OFF
MESSAGE LAMP	OFF	ON

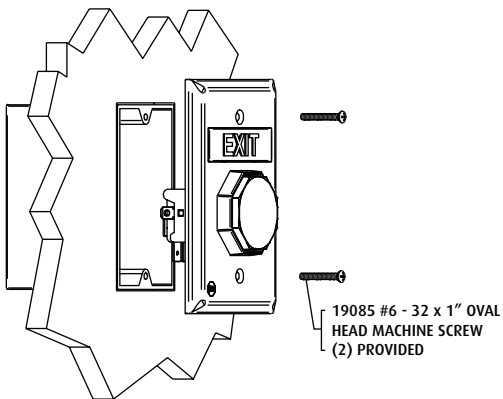
NOTE:

LED connection: The polarity shown is factory installed. LED is polarity sensitive. If LED does not light, switch positive and negative wiring or remove LED and rotate 180°. 24 volt is included and will operate on 12 volts; however not as bright. 12 volt LED's are also available.

5 SURFACE MOUNT OPTION



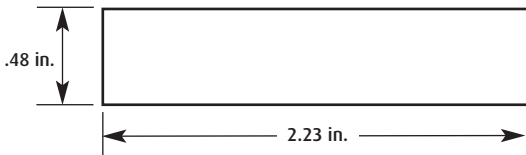
6 MOUNT BUTTON ONTO ELECTRICAL BOX OPTION



7 CUSTOM LABELS

To create your own custom label, size to fit in .48h x 2.23w as shown below.

Also available online at: www.sti-usa.com/ublabeled



ACCESSORIES

DESCRIPTION	PART #
CONTACT BLOCK	SUB-UB-1C
COLOR MATCH BACKBOX KIT	SUB-71100A-COLOR (red, blue, green, white or yellow)
CUSTOM LABEL APPLIED TO BLANK MESSAGE PLATES	UB-1CL-COLOR (blue, green, white or yellow)
<u>24 VOLT LED</u>	
WHITE (STANDARD)	10147
RED	10145
BLUE	10141
GREEN	10143
<u>12 VOLT LED</u>	
RED	10144
BLUE	10140
GREEN	10142
<u>COVERS</u>	
BOPPER STOPPER	STI-6518
UNIVERSAL STOPPER	STI-13000 Series
MINI STOPPER II	STI-6600 Series
STOPPER II	STI-1100 Series

SEE WEBSITE FOR COMPLETE COVER DETAILS



Safety Technology International, Inc.

2306 Airport Rd • Waterford, MI 48327

Phone: 248-673-9898 • Fax: 248-673-1246

info@sti-usa.com • www.sti-usa.com

Safety Technology International (Europe) Ltd.

Unit 49G Pipers Road • Park Farm Industrial Estate • Redditch
Worcestershire • B98 0HU • England • Tel: 44 (0) 1527 520 999
Fax: 44 (0) 1527 501 999 • Freephone: 0800 085 1678 (UK only)
E-mail: info@sti-europe.com • Web: www.sti-europe.com