

# STI Exit Stopper®

Wireless Now Available



STI-6400



STI-6405



STI-6406

## FEATURES

- User can select whether to use as an alarm or annunciator.
- May be mounted on top, right, left or next to almost any door.
- 105 or 95 dB warning horn.
- In exit alarm mode, alarm can be set to sound for 30 seconds, 3 minutes or indefinitely (unless disarmed with key supplied or until battery is drained).
- In annunciator mode, it announces door entry with a set of 10 beeps.
- May be programmed for 15 second entry delay or immediate alarm.
- Detects both unauthorized exits and entries.
- Recommended operational temperature range is 32° to 120°F.
- Unit is completely self-contained.
- STI-6400WIR supervised wireless 433 mhz (with 4 or 8-channel receiver). Up to 1000 foot (line of sight) range.
- STI-6402 provides protection for double door applications with two sets of reed contacts.
- STI-6403 allows for remote horn to be located 300 feet from the door it is protecting - 18 gauge wire not included or electrically supervised.
- STI-6404 provides protection for double doors and has remote horn capabilities (18 gauge wire not included).
- STI-6405 allows keyholder to reset the alarm, unit cannot be turned off.
- STI-6406 can be operated from both sides of the exit/entry door.
- Highly visible "stop sign" design acts as a deterrent.
- Arming delay allows unit to arm following authorized exits.
- Available in red or green.
- Easy to install...much less expensive than heavy horizontal bar type units... and practical for all emergency doors.
- Three year guarantee against breakage of polycarbonate in normal use (one year on electro mechanical and electronic components).

## PRODUCT OVERVIEW

The highly effective Exit Stopper can serve as an inexpensive security device and help stop theft by alerting you to any unauthorized exits or entries through emergency exit doors.

## HOW IT WORKS

If the protected door is opened, the electronic Exit Stopper emits an ear piercing alarm for 30 seconds, 3 minutes or continuously (as preset by the user). A key operated override will silence the alarm and allow authorized exits. The unit can be set for a 15 second delay before arming or tripping. Exit Stopper "Always Active" allows the key holder to reset the alarm, but does not allow the alarm to be turned off. Exit Stopper is fitted with a 9 VDC alkaline battery. It is available in red or green for almost any type of door, mounting or installation, including remote placement of the alarm (not for outdoor use).

# STI Exit Stopper®

Dimensions and Technical Information

## MODELS AVAILABLE

- STI-6400** Exit Stopper multifunction door alarm
- STI-6400WIR** Wireless Exit Stopper multifunction door alarm
- STI-6400WIR4** Wireless Exit Stopper multifunction door alarm with 4-Channel Receiver
  
- STI-6402** Exit Stopper multifunction door alarm for double door installation
- STI-6403** Exit Stopper multifunction door alarm with remote horn
- STI-6404** Exit Stopper for double door with remote horn
- STI-6405** Exit Stopper multifunction door alarm with "always active" feature
- STI-6406** Exit Stopper with dual access control
- STI-6453AED** Replacement siren alarm
- STI-34104** 4-Channel receiver
- STI-34108** 8-Channel receiver
- STI-30104** Lamp controller
- SUB-6403** Remote horn to use in conjunction with all above exit alarm models or to replace remote horn in STI-6403
  
- 06402** Magnet and reed switch with spacers
- 16200** Warning "Door Alarmed" label

## SPECIFICATIONS

- Housing** 1/8 in. Polycarbonate
- Power Source** 9 VDC Alkaline or 12-24 VDC Wired
- Warning Horn at 1 foot** 95 dB - Low  
105 dB - High
- Relay Contacts** Form C Dry 0-30 Volts  
AC/DC, 1 Amp
- Dimensions** 5.375 in. x 5.375 in. x 2 in.  
137mm x 137mm x 51mm
- Standby Current** 10 uA
- Alarm Current** 200 mA
- Recommended Operating Temperature** 32°F to 120°F  
(0°C to 49°C)

## APPROVALS & WARRANTY

### TESTING

**STI-6400WIR & STI-6400WIR4**

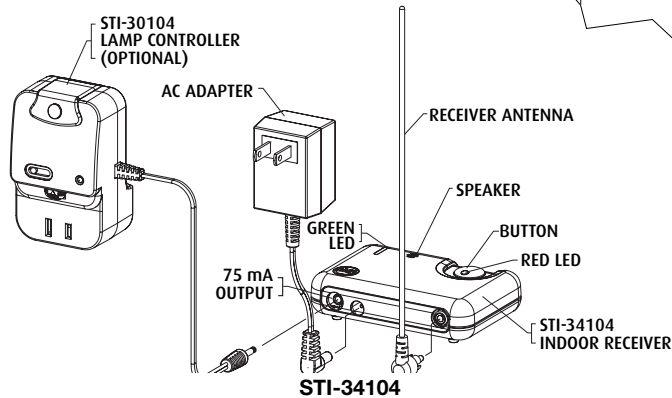
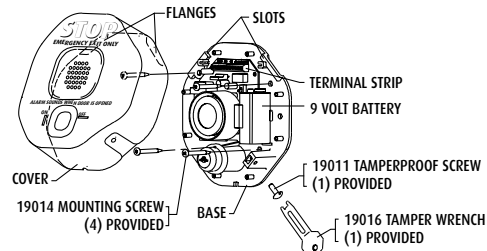
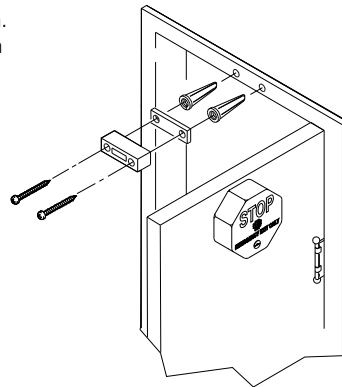
- FCC & IC Compliant

### WARRANTY

Three year guarantee against breakage of polycarbonate in normal use (one year on electro mechanical and electronic components).

FEATURE	JP2	JP3	JP4	JP5	JP7
Volume- (105 dB) at 1 foot	ON*				
Volume- (95 dB) at 1 foot	OFF				
Duration- 30 Second Alarm		OFF*	OFF*		
Duration- 180 Second Alarm		OFF	ON		
Duration- Continuous Alarm		ON	OFF		
Duration- Annunciator Mode		ON	ON		
Trip- Immediate				OFF*	
Trip- 15 Second Delay				ON	
Arming- Immediate					ON*
Arming- 15 Second Delay					OFF

\*Factory Settings



**STI-34108**



**Safety Technology International, Inc.**

2306 Airport Road  
Waterford, Michigan  
48327, USA

Tel: 248-673-9898  
Fax: 248-673-1246  
Tollfree: 800-888-4784  
info@sti-usa.com  
www.sti-usa.com

Unit 49G Pipers Road  
Park Farm Industrial Estate  
Redditch, Worcestershire  
B98 0HU England

Tel: 44 (0) 1527 520 999  
Fax: 44 (0) 1527 501 999  
Free: 0800 085 1678 (UK)  
www.sti-europe.com