

STI Stopper Dome Heated Enclosure STI-1229HTR / STI-1229HTR240



INSTALLATION INSTRUCTIONS

Features:

- Maintains operating strobe appliance temperature with external temperatures to -70°F (-57°C). Independently tested to -102°F (-73°C).
- Enclosure tested to NEMA 4X Standards. Equivalent to an IP 66 rating.
- UL, cUL Listed.
- CSFM requires local approval only.
- Protects ADA compliant strobes to UL 1971 Standards.
- Can be used for UL 1638 Strobes for colored lens (see Amseco's spec sheet).

Operation:

For use in areas where temperature or environmental conditions exceed the operational range of fire strobe signaling devices. Unit requires 24 VDC continuous for fan operation and 110 or 240 VAC operation for heater, as well as power for strobe operation and supervision for temperature indicator. Fan runs continuously to maintain uniform temperature. Heater cycles as required to maintain operating temperature range for listed strobes.



Safety Technology International, Inc.

"We Protect The Things That Protect You."

Warnings

The enclosure is used to protect UL Listed 1638 and 1971 visual notification appliances at temperatures down to -70°F (-57°C). It is the installer's responsibility to comply with NEC 70 Articles 502 and 503, NFPA 72, and other applicable fire and electrical codes. Conduit or raceway paths need to be sealed as near to the enclosure as possible. Installer should have maintained supervision over the low temperature thermostat. The low temperature monitoring thermostat makes the circuit at +32°F (0°C) and clears the circuit at +50°F (+10°C). This listing requires that the fire alarm supervisory control module be only of the latching type. On the appliance mounting plate is a label where you should record the installation date. Also include below the serial number and installation date on the instruction sheet for quick reference.

Serial Number _____

Installation Date _____

Installation Notes

1. The enclosure is rated to protect signaling appliances indoors and outdoors and in areas of direct weather exposure.
2. When covering fire-signaling appliances with the enclosure, some light loss occurs. Please follow the guidelines listed during installation.
3. Strobe light loss values for respective manufacturers are shown on page 3. To determine the new composite candela value of the use with the guard refer to the sample calculation shown on page 3 for a manufacturer's strobe.
4. Record the manufacturer's candela value as "A" and the light loss value as "B" and the assembly value as "C". Example: A 60 candela strobe with a 30% light loss transmission value. Value "A" is now 60. Value "B" is (60 times 30% or 0.30) in this case 18.
5. Now value "C" is value "A" minus value "B" or $60 - 18 = 42$ candela light source. Now refer to NFPA tables for proper room size that newly established value "C" will work in. Then submittal installation drawings must show the composite candela value in this example 42.
6. On a multiple candela value strobe such as 15/30/75 a calculation must be done for each value and the drawing notation composite value for each number on the strobe.
7. All field wiring within this enclosure must be rated for a minimum operating range of 0°C - 110°C.

Performance Review

Manufacturer

**Light
Loss %**

SYSTEM SENSOR (P2, PC2, P4, PC4, SX, SC)	28%
WHEELLOCK (RSS 24MCW)	31%
ADT SECURITY (ADTG1-V Series), EST/EDWARDS (G1-V, G1-HV, G1-HOV, EG1-V, EG1-HV, EG1-HOV Series), HONEYWELL (XLSG1-V, XLSG1-HV Series), MIRCOM (MG1-V, MG1-HV, MG1-HOV, Series), MIRTONE (MG1-V Series), SIEMENS (G1-V Series)	32%
FARADAY LLC (2700), SIEMENS (U-MCS Series)	33%
EST/EDWARDS (2440S, 202 Series), HONEYWELL (XLS202 Series), MIRCOM(MS Series), SIEMENS (202), ZITON PTY LTD (ZG1-V Series)	34%
SYSTEM SENSOR (SS24110ADA)	36%
AMSECO (SL24W-153075), AMSECO - COLORED LENSES (SL24W-153075 A, B, G or R, SL24C-3075110 A B, G or R, CSL24W-A, B, G or R, CSL24C-A, B, G or R), HONEYWELL (XLSG1-HOV Series), MIRCOM (FS-240), POTTER ELECTRIC (AS-24-153075R, AS-24-153075W)	37%

Note: Can be used for UL 1638 Strobes for colored lens (see Amseco's spec sheet).

Polycarbonate Cleaning Instructions

Rinse with water to remove abrasive dust and dirt. Wash with soap or mild detergent, using a soft cloth. Rinse once more, then dry with a soft cloth or chamois. Exercise caution when using water inside enclosure. Make sure unit is completely dry inside before reassembling. (Do not use razor blades).

Specifications


Polycarbonate Enclosure:

Flammability:	Cover: UL94 V-2 Backbox: UL94 5VA
Wall Thickness:	0.2 in (5.1mm)
NEMA Rating:	4X, indoor and outdoor use
Warranty:	Three year guarantee against breakage of polycarbonate in normal use (one year on electro mechanical and electronic components).

Silicone Laminate Heater:

STI-1229HTR 110 VAC 50/60 Hz	UL Recognized Component
STI-1229HTR240 240 VAC 50/60 Hz	UL Recognized Component
100 Watts	
Life: @ -10°C (14°F) ~ 70°C (158°F)	5 Years
Duty Cycle: -40°F (-40°C) -70°F (-57°C)	53% 71%

Fan:

24 VDC (±10%), 90 mA	UL Recognized Component
Life:	5 Years Continuous Duty
 WARNING: The polarity of the circulating fan is important as it only rotates in one direction with red lead being positive.	

Gasket:

Material:	Neoprene
Life:	5 Years

STI-1229HTR Installation Instructions

MOUNT BACKBOX TO WALL (Refer to Fig. 1)

1. Remove appliance heater assembly from backbox and set aside.
2. Mount backbox in desired location (wall mount only) using the four #10 x 1-1/2" screws and anchors (provided). Drill a 1/4" diameter pilot hole for plastic anchors at spacing in Fig. 1.
3. Attach conduit hub to a 3/4" NPT nipple and conduit seal fitting to the backbox, top and bottom.

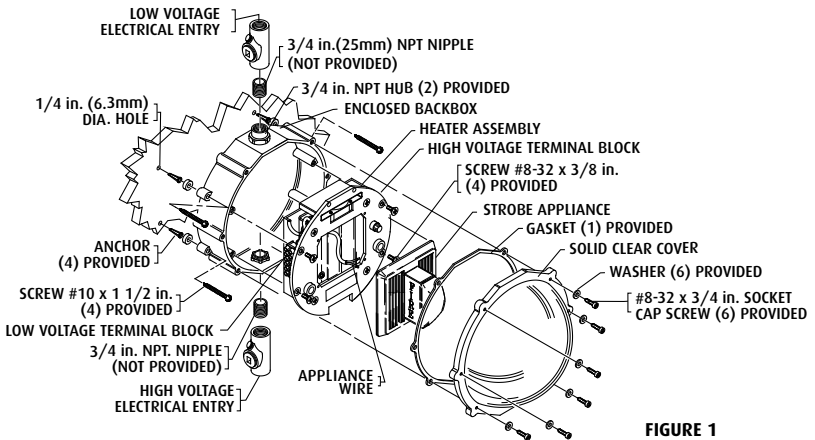


FIGURE 1

Note: A conduit seal fitting must be used on both top and bottom conduit entries as close to the unit as possible. Use conduit seal Crouse-Hinds 3/4" EYSX 21 or equivalent. Conduit should be installed according to applicable NEC and local codes.

4. Pull wiring into backbox.

Note: High Voltage (110 or 240 VAC) wiring must enter thru bottom conduit and low voltage and signaling wires must enter thru top conduit and remain separated per NFPA 70, NEC, and local codes.

HIGH VOLTAGE WIRING (Refer to Fig. 2)

5. **Connect high voltage:** Make sure 110 or 240 VAC power is "OFF". Refer to high voltage schematic diagram on page 6.

110 VAC 240 VAC

Pin 6	AC HOT	L-1
Pin 5	Neutral	L-2
Pin 4	Ground	Ground

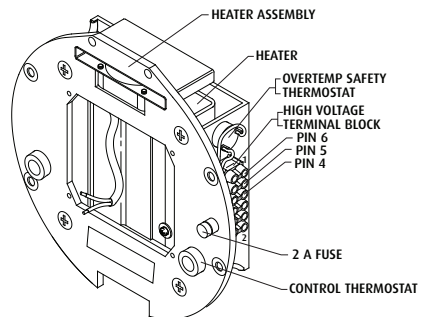


FIGURE 2

LOW VOLTAGE WIRING (Refer to Fig. 3 & Schematic drawings on Page 6)

- 6. Connect Supervisory Module** Connect EOL device (not included) between pins 1 and 2 of low voltage terminal block. Pins 1 and 2 should then be connected to the fire alarm supervisory control module.

Note: Fire alarm supervisory control module must be of the latching type only.



- 7. Connect Fan Power**

Note: Fan will not operate if polarity is reversed. Refer to low voltage schematic on page 6.

Pin 3 -24 VDC

Pin 4 +24 VDC

- 8. Connect strobe appliance power**

Pin 5 - 16-33 VDC

Pin 6 +16-33 VDC

- 9.** Attach heater assembly to backbox using (4) #8-32 x 3/8" flat head screws into heater assembly mounting bosses on backbox (see Fig. 1). Make sure all service wiring is gathered away from the heater and be careful not to pinch wire under heater assembly. Fan must be mounted toward top of enclosure.

- 10.** Wire strobe using Teflon coated wire provided. (White-Positive/Black-Negative) and attach to the strobe mounting bosses on heater assembly.

- 11.** Record installation date on label and in manual (page 2).

- 12.** Install cover and gasket with (6) #8-32 x 3/4" socket cap screws and (6) flat washers as shown in Fig. 4.

- 13.** Turn all power to "ON" position.

Note: Fan runs continuously. This system requires three sources of power:

1. 110 or 240 VAC heater on the load side of the fuse holder.
2. 24 VDC power source for the circulating fan. Check fan to see if operating; if not check polarity and reverse then try again
3. 16-33 VDC fire alarm notification circuit for strobes and temperature warning monitor.

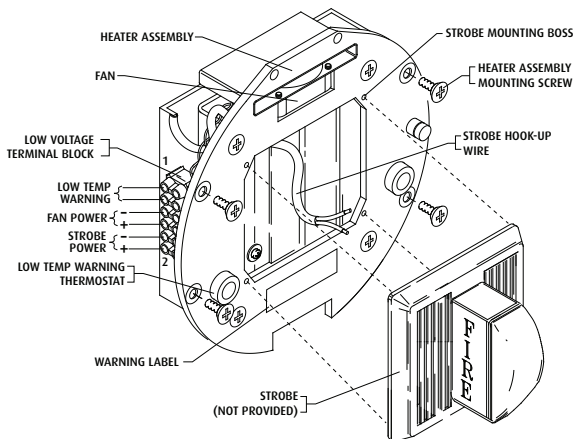
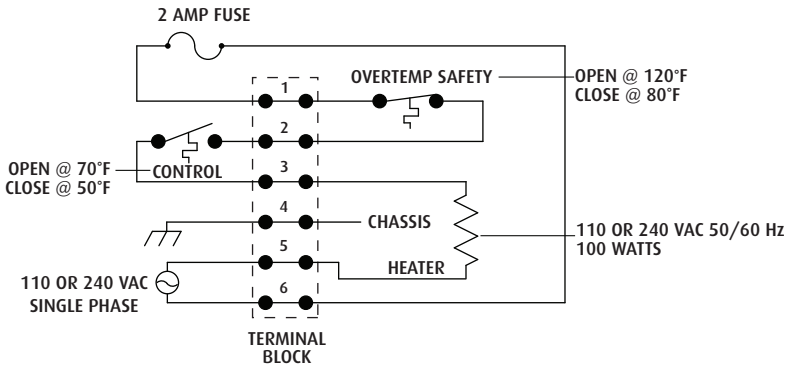


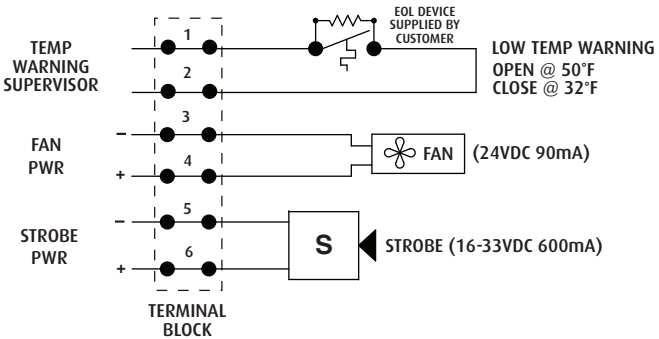
FIGURE 3

Schematic Diagrams

HIGH VOLTAGE CIRCUIT



LOW VOLTAGE CIRCUIT



Product Assembly

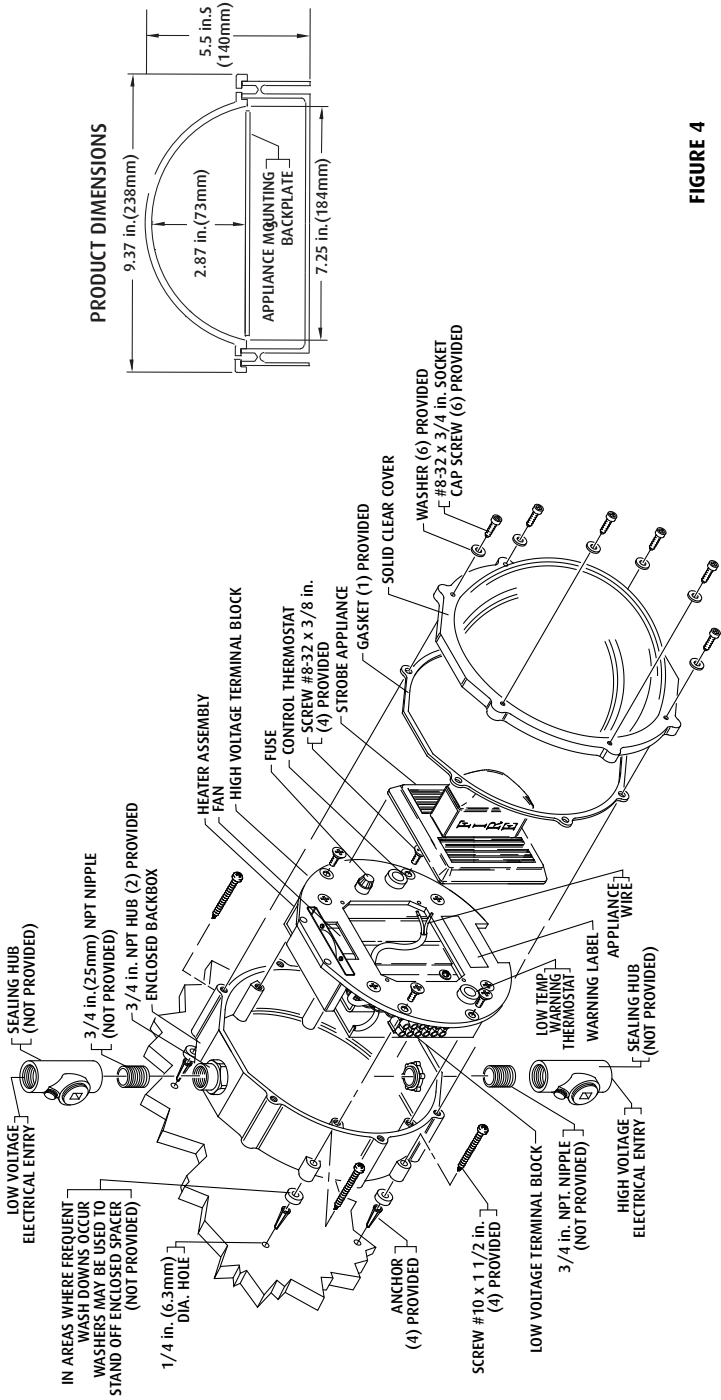


FIGURE 4



Safety Technology International, Inc.

2306 Airport Road

Waterford, Michigan 48327-1209

Phone: 248-673-9898 • Toll Free: 800-888-4784 • Fax: 248-673-1246

www.sti-usa.com

Safety Technology International (Europe) Ltd.

Unit 49G Pipers Road • Park Farm Industrial Estate • Redditch
Worcestershire • B98 0HU • England • Tel: 44 (0) 1527 520 999
Fax: 44 (0) 1527 501 999 • Freephone: 0800 085 1678 (UK only)
E-mail: info@sti-europe.com • Web: www.sti-europe.com