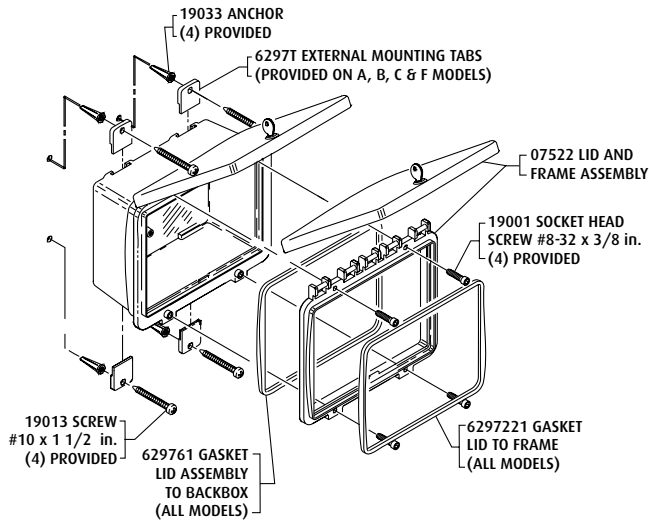




Safety Technology International, Inc.
 2306 Airport Road • Waterford, Michigan 48327-1209
 Phone: 248-673-9898 • Fax: 248-673-1246
 Toll Free: 800-888-4784 • E-mail: info@sti-usa.com
 Web: www.sti-usa.com

Safety Technology International (Europe) Ltd.
 Unit 49G Pipers Road • Park Farm Industrial Estate • Redditch
 Worcestershire • B98 0HU • England • Tel: 44 (0) 1527 520 999
 Fax: 44 (0) 1527 501 999 • Freephone: 0800 085 1678 (UK only)
 E-mail: info@sti-europe.com • Web: www.sti-europe.com



TYPICAL INSTALLATION OF STI-7500 AND STI-7501

Internal dimensions of all six enclosures are 8.50 in. (216mm) wide and 6.37 in. (160mm) high. For depth dimensions, see pictorial views.

INSTALLATION PROCEDURE

1. For models A, B, C & F insert the (4) mounting tabs into the backbox slots.
2. Using the installed mounting tab holes or internal mounting bosses as a template, mark and drill (4) 1/4 in. diameter holes and complete installation as shown.

CLEANING INSTRUCTIONS

Rinse with water to remove abrasive dust and dirt. Wash with soap or mild detergent, using a soft cloth. **(Do not scrub or use brushes or abrasives.)** Rinse once more, then dry using a soft cloth or chamois.

To remove grease or wet paint, rub gently with a cloth wetted thoroughly with naphtha **(do not use razor blades or gasoline)**. Then wash and rinse.

<p>STI-7500A WITH KEY LOCK STI-7501A WITH THUMB LOCK SEALED BACKBOX WITH EXTERNAL MOUNTING</p> <p>KEY LOCK SHOWN 4.15 in. (105mm) DEPTH MOUNTING TABS AND FASTENERS</p>	<p>STI-7500B WITH KEY LOCK STI-7501B WITH THUMB LOCK SEALED BACKBOX WITH EXTERNAL MOUNTING AND MOLDED DOUBLE GANG OUTLET BOX</p> <p>THUMB LOCK SHOWN IF CONDUIT HUB IS NEEDED ORDER SUB-6297B20 HUB KIT, GASKET AND FASTENERS INCLUDED NOTE: SUB KIT IS 3/4 in. RIGID DIE CAST 1.30 in. (33mm) DEPTH MOUNTING TABS AND FASTENERS</p>
<p>STI-7500C WITH KEY LOCK STI-7501C WITH THUMB LOCK OPEN BACKBOX WITH EXTERNAL MOUNTING</p> <p>KEY LOCK SHOWN STI-3002 GASKET IF CONDUIT HUB IS NEEDED ORDER SUB-6297B20 HUB KIT, GASKET AND FASTENERS INCLUDED NOTE: SUB KIT IS 3/4 in. RIGID DIE CAST 2.51 in. (64mm) DEPTH MOUNTING TABS & FASTENERS</p>	<p>STI-7500D WITH KEY LOCK STI-7501D WITH THUMB LOCK OPEN BACKBOX WITH INTERNAL MOUNTING</p> <p>KEY LOCK SHOWN 6297316 GASKET MOUNTING FASTENERS 3.54 in. (90mm) DEPTH SURFACE MOUNT CONDUIT INSERTS USE WHERE NEEDED (1 OF EACH PROVIDED)</p>
<p>STI-7500E WITH KEY LOCK STI-7501E WITH THUMB LOCK OPEN BACKBOX WITH INTERNAL MOUNTING</p> <p>THUMB LOCK SHOWN 6297316 GASKET MOUNTING FASTENERS 1.76 in. (45mm) DEPTH</p>	<p>STI-7500F WITH KEY LOCK STI-7501F WITH THUMB LOCK SEALED BACKBOX WITH EXTERNAL MOUNTING</p> <p>KEY LOCK SHOWN IF CONDUIT HUB IS NEEDED ORDER SUB-6297B20 HUB KIT, GASKET AND FASTENERS INCLUDED NOTE: SUB KIT IS 3/4 2.35 in. (60mm) DEPTH MOUNTING TABS AND FASTENERS</p>

INSTALLATION OF STI-7500 & STI-7501 POLYCARBONATE ENCLOSURES

All specifications and information shown were current as of publication, and are subject to change without notice.