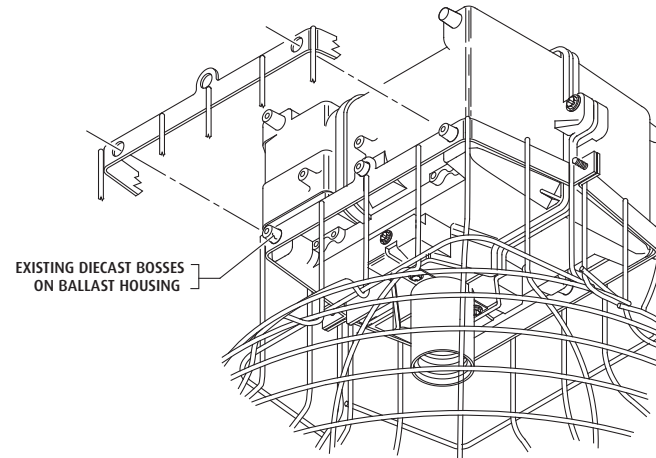
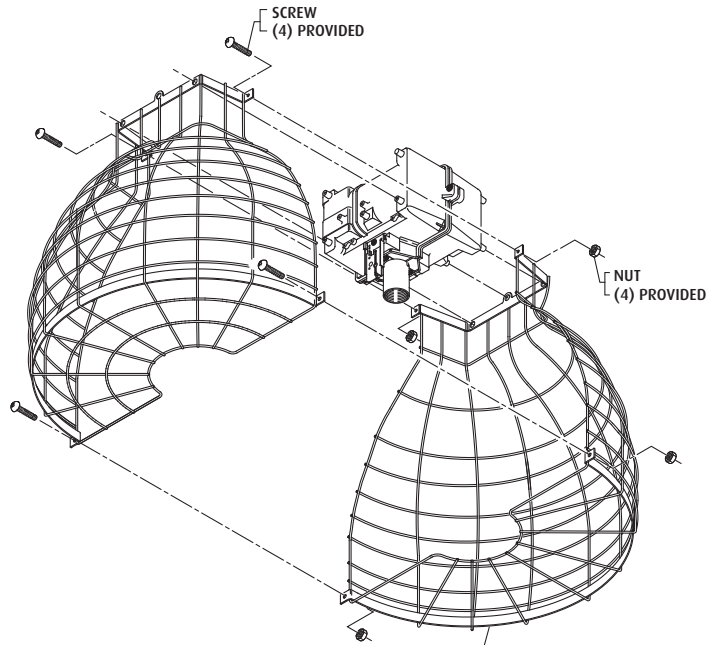




Safety Technology International, Inc.  
 2306 Airport Road • Waterford, Michigan 48327-1209  
 Phone: 248-673-9898 • Fax: 248-673-1246  
 Toll Free: 800-888-4784 • E-mail: info@sti-usa.com  
 Web: www.sti-usa.com

Safety Technology International (Europe) Ltd.  
 Unit 49G Pipers Road • Park Farm Industrial Estate • Redditch  
 Worcestershire • B98 0HU • England • Tel: 44 (0) 1527 520 999  
 Fax: 44 (0) 1527 501 999 • Freephone: 0800 085 1678 (UK only)  
 E-mail: info@sti-europe.com • Web: www.sti-europe.com



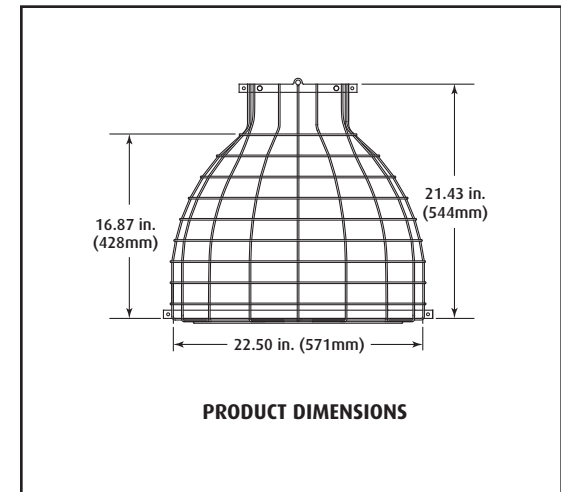
VIEW SHOWING INSTALLATION OF LOWER BRACKET TO BALLAST HOUSING

STI-9702 WIRE GUARD FITS REFLECTORS NOS. WA-22, WD-22 AND BI-WA22 ALSO FITS REFLECTOR MOUNTING LEG KIT FULLY EXTENDED  
**NOTES:** REFLECTOR ASSEMBLY NOT SHOWN IN ANY VIEW. IF BULB REPLACEMENT IS NECESSARY, GUARD DOES NOT HAVE TO BE REMOVED.

**NOTES:** REFLECTOR ASSEMBLY NOT SHOWN IN ANY VIEW. IF BULB REPLACEMENT IS NECESSARY, GUARD DOES NOT HAVE TO BE REMOVED.

**INSTALLATION INSTRUCTIONS**

1. To simplify installation, hang 1/2 of guard on existing die cast bosses on ballast housing as shown.
2. Insert the 1/4 - 20 screw and hand tight the two lower brackets together.
3. Insert the two top bracket screws and tighten securely.
4. Tighten any remaining screws to complete installation.



**INSTALLATION OF STI-9702 BAY LIGHT DAMAGE STOPPER®**

All specifications and information shown were current as of publication, and are subject to change without notice.

## ADDITIONAL WIRE GUARDS AVAILABLE

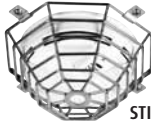
Visit [www.sti-usa.com](http://www.sti-usa.com) for complete details

### SMOKE DETECTOR COVERS

STI-9601	Low profile - Flush mount	STI-9609-SS	High profile - Flush mount - Stainless Steel
STI-9601-SS	Low profile - Flush mount - Stainless Steel	STI-9610	High profile - Surface mount
STI-9602	Low profile - Surface mount	STI-9712	Photoelectric - Surface mount
STI-9604	Mini - Flush mount	STI-9713	Photoelectric - Flush mount
STI-9604-SS	Mini - Flush mount -Stainless Steel		
STI-9605	Mini - Surface mount		
STI-9605-SS	Mini - Surface mount - Stainless Steel		
STI-9609	High profile - Flush mount		



STI-9601



STI-9604-SS

### PIR GUARDS

STI-9618	Corner Mount		
STI-9619	Corner Mount		
STI-9620	6.25 x 4 x 2.25"		
STI-9621	7 x 5.75 x 4.50"		
STI-9622	8.75 x 4 x 3.75"		



STI-9618



STI-9621

### EXIT SIGN WIRE CAGES

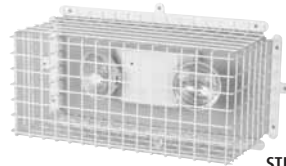
STI-9640	10.5 x 13.75 x 2.75"		
STI-9740	15.5 x 20.5 x 6"		



STI-9640

### EMERGENCY LIGHT CAGES

STI-9641	10.7 x 14.6 x 4"		
STI-9644	8.7 x 17.7 x 5"		
STI-9645	13.8 x 21.7 x 5.9"		
STI-9649	10.75 x 24.75 x 11.25"		
STI-9703	5 x 13.5 x 4"		



STI-9649

### MISCELLANEOUS WIRE CAGES

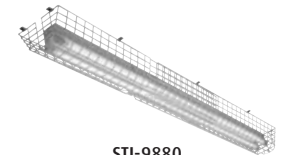
STI-9651	Fluorescent Light Damage Stopper®	STI-9720	Speaker Strobe Damage Stopper® - Surface
STI-9705	Horn/Strobe/Speaker Damage Stopper® - Flush	STI-9730	Wire Guard Damager Stopper®
STI-9708	Horn/Strobe/Speaker Damage Stopper - Surface	STI-9796	Outdoor Light Damage Stopper®
STI-9711	Horn/Strobe/Speaker Damage Stopper - Flush	STI-9880	Fluorescent Lighting Damage Stopper® - Small
STI-9714	Horn/Strobe/Speaker Damage Stopper - Surface	STI-9881	Fluorescent Lighting Damage Stopper® - Large
STI-9717	Speaker/Strobe Damage Stopper® - Flush		



STI-9705



STI-9796



STI-9880

### BEAM SMOKE DETECTORS

STI-9623	For DS240 and DS241
STI-9624	For Fireray 50/100R
STI-9625	For System Sensor Beam Smoke Detector 6424
STI-9706	Flush Mount
STI-9707	Surface Mount



STI-9624



STI-9625

### CLOCK/BELL WIRE CAGES

STI-9631	10.5" Diameter
STI-9631-SS	10.5" Diameter - Stainless Steel
STI-9631-R	10.5" Diameter - Red
STI-9632	16.5 Diameter
STI-9632-SS	16.5 Diameter - Stainless Steel
STI-9633	20" Diameter



STI-9632

### BAY LIGHT WIRE CAGES

STI-9702	For Hubbell® Superbay Lights - 21.43 x 22.50"
STI-9709	For Hubbell® Superbay Lights - 24.5 x 26"



STI-9702

### BEACON & SOUNDER CAGES

STI-9614	7.9 x 6"
STI-9615	3.7 x 3.5"
STI-9617	5.9 x 4.9"
STI-9664	3.86 x 6.18"
STI-9665	7 x 8.43"



STI-9615



STI-9664