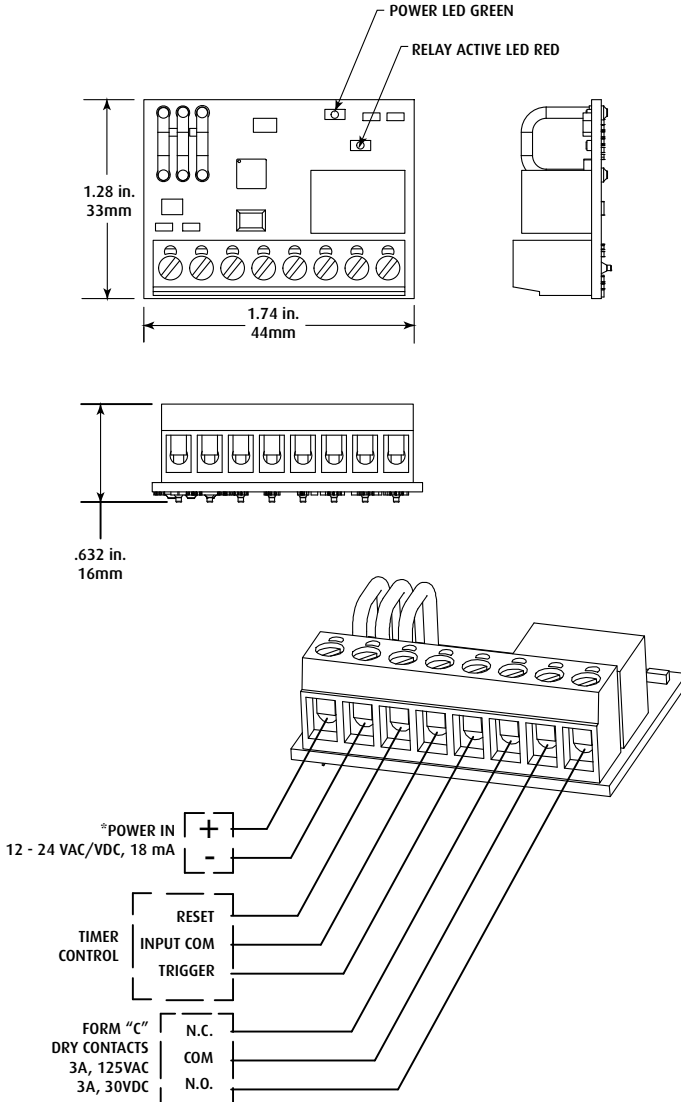


# STI LATCHING/TIMER MODEL LT-1

## NOTE:

It is important to read, understand and follow all instructions provided with this product. It is the installer's responsibility to comply with NFPA 70, 72 & 101, NEC, mounting specifications according to ADA and other applicable codes. This product is not to be used in place of panic hardware. To avoid electrical shock, DO NOT attempt to install this product when power is on. After installation and testing are complete, provide a copy of this manual to all personnel responsible for testing and maintenance of this product.



**RELAY MODE:**

N.O. - Relay switches with power to circuit - Fail Safe

N.C. - Relay is in same state as with no power to circuit - Fail Secure

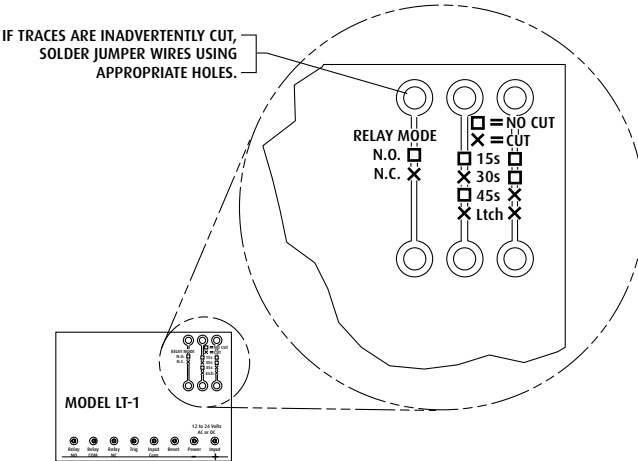
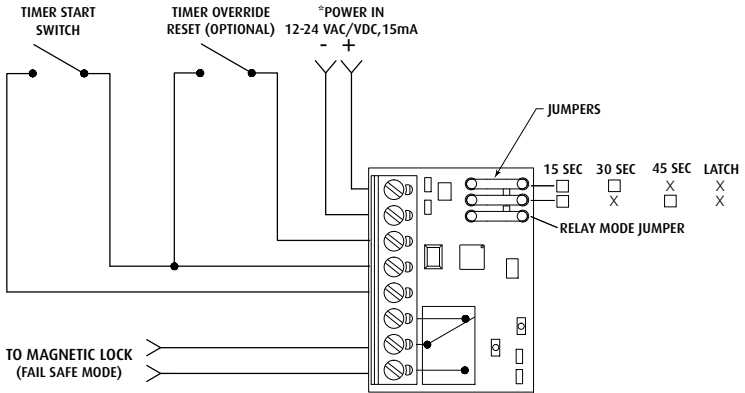
**TO CHANGE TIMER SETTINGS:**

Cut jumpers with "X", do not cut jumpers with "□".

Default timer setting is 15 seconds.

If the trigger is activated during a timing cycle, the timer is restarted.

**NOTE:** To ensure jumpers do not reattach or short to other components, cut jumper off completely flush to PCB.



**Safety Technology International, Inc.**

2306 Airport Road

Waterford, Michigan 48327-1209

Phone: 248-673-9898 • Toll Free: 800-888-4784 • Fax: 248-673-1246

[www.sti-usa.com](http://www.sti-usa.com)