

# STI Mini Mega and STI Mega Stopper®



STI-7500H



STI-7500V



STI-7600

## PRODUCT OVERVIEW

Three sizes of these protective covers are available to protect a wide range of larger devices, components and sensitive models from vandalism and accidental damage as well as the elements, dirt and grime. The Mega Stopper is the largest and can be used to protect such units as fire control panels. Filling out the trio are two Mini Mega Stoppers, one for vertical mounted units (such as larger access control modules and card readers) and one for horizontal mounted units (such as larger burglar alarm modules, fire alarm control panels and exterior fire system annunciators). The Mini Mega Stoppers are also available with a 2" deep conduit spacer for surface mount. Both the covers and their hinges are formed from super tough polycarbonate material. These Stoppers are lockable with either a key or thumb lock.

## BACKED BY A THREE YEAR GUARANTEE

The polycarbonate covers of all three models are backed by a three year guarantee against breakage in normal use.

## FEATURES

- Protection for large units against physical damage, grime and severe environments.
- For indoor or outdoor applications.
- Both covers and hinges are formed from super tough polycarbonate material.
- 94V-2 flammability rating.
- STI-7500H, STI-7500V, STI-7501H and STI-7501V can be used over volume and lighting controls.
- Covers are hinged and lockable.
- Each protected unit can be clearly seen and quickly identified.
- Typical working properties of polycarbonate are -40° to 250°F (-40° to 121°C).
- Mounting hardware and gaskets are included.
- Fast and easy installation.
- Three year guarantee against breakage of polycarbonate in normal use.

# STI Mini Mega and STI Mega Stopper®

Dimensions and Technical Information

## MODELS AVAILABLE

<b>STI-7500H</b>	Mini Mega Stopper with key lock - horizontal
<b>STI-7500V</b>	Mini Mega Stopper with key lock - vertical
<b>STI-7501H</b>	Mini Mega Stopper with thumb lock - horizontal
<b>STI-7501V</b>	Mini Mega Stopper with thumb lock - vertical
<b>STI-7530H</b>	STI-7500H with 2" spacer
<b>STI-7530V</b>	STI-7500V with 2" spacer
<b>STI-7531H</b>	STI-7501H with 2" spacer
<b>STI-7531V</b>	STI-7501V with 2" spacer
<b>STI-7600</b>	Mega Stopper with key lock
<b>STI-7601</b>	Mega Stopper with thumb lock

## APPROVALS & WARRANTY

### TESTING

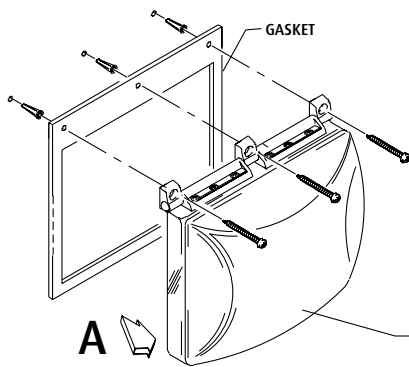
The STI-7500 series only has been tested and approved or listed by:  
 · UL/cUL Listed No. S7255

### WARRANTY

Three year guarantee against breakage of polycarbonate in normal use.

### NOTICE

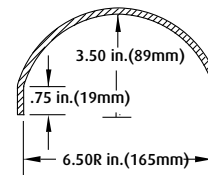
STI recommends replacement of gaskets every five years for outdoor applications.



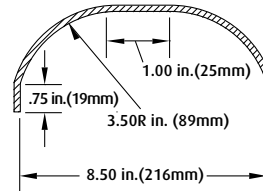
STI-7500

**HORIZONTAL MOUNTING:**  
 STI-7500H COVER W/KEY LOCK  
 STI-7501H COVER W/THUMB LOCK

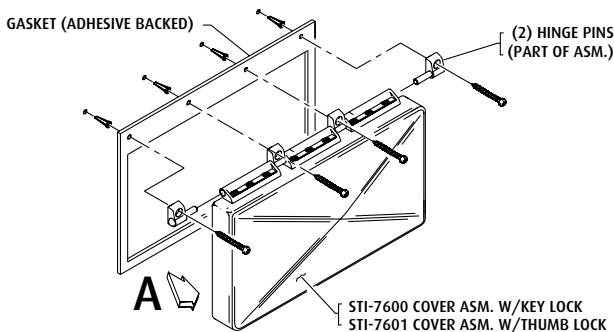
**VERTICAL MOUNTING:**  
 STI-7500V COVER W/KEY LOCK  
 STI-7501V COVER W/THUMB LOCK



SIDE VIEW

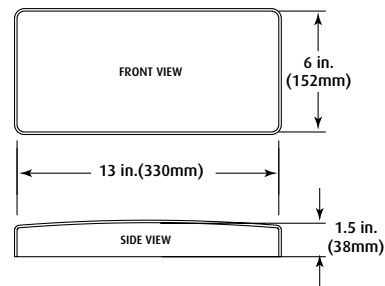


TOP VIEW



STI-7600

STI-7600 COVER ASM. W/KEY LOCK  
 STI-7601 COVER ASM. W/THUMB LOCK



**Safety Technology International, Inc.**

2306 Airport Road  
 Waterford, Michigan  
 48327, USA

Tel: 248-673-9898  
 Fax: 248-673-1246  
 Tollfree: 800-888-4784  
 info@sti-usa.com  
 www.sti-usa.com

Unit 49G Pipers Road  
 Park Farm Industrial Estate  
 Redditch, Worcestershire  
 B98 0HU England

Tel: 44 (0) 1527 520 999  
 Fax: 44 (0) 1527 501 999  
 Free: 0800 085 1678 (UK)  
 www.sti-europe.com