

STI Access Control Housings



STI-7515F



STI-7516A

SEE NOTE
ON BACK

PRODUCT OVERVIEW

These waterproof, multipurpose sealed housings mount to either a wall or pedestal and are ideal for a variety of access control equipment. Molded of thick polycarbonate material which is backed by a three year guarantee against breakage in normal use.

Housings are available in two depths. Backbox "A" provides 4.25 inches of depth and backbox "F" provides 2.0 inches of depth.

HOW THEY WORK

The STI-7515 has four mounting tabs allowing it to be installed on a wall. It can be used as a multipurpose electrical enclosure, connection box, etc. The STI-7516 can be installed to a mounting pedestal and is ideal for a gate entry, call switch or any electrical device configuration.

FEATURES

- NEMA 4
- Helps solve installation problems for a variety of access control equipment.
- Housings are water resistant to provide added protection for these important devices.
- Available in two depths.
- Mounting hardware is included.
- STI-7515 has four mounting tabs allowing it to be installed on a wall.
- STI-7516 is designed to be installed on a mounting pedestal and includes adapter plate (SUB-318).
- Typical working properties of polycarbonate are -40° to 250°F (-40° to 121°C).
- Three year guarantee against breakage of polycarbonate in normal use.

STI Access Control Housings

Dimensions and Technical Information

MODELS AVAILABLE

- STI-7515A** Housing, wall mount, "A" backbox
- STI-7515F** Housing, wall mount, "F" backbox
- STI-7516A** Housing, pedestal mount, adapter plate, "A" backbox
- STI-7516F** Housing, pedestal mount, adapter plate, "F" backbox

Accessories

- SUB-318** Adapter plate used for mounting "A" or "F" backbox to pedestal

WARRANTY

Three year guarantee against breakage of polycarbonate in normal use.

NOTE:

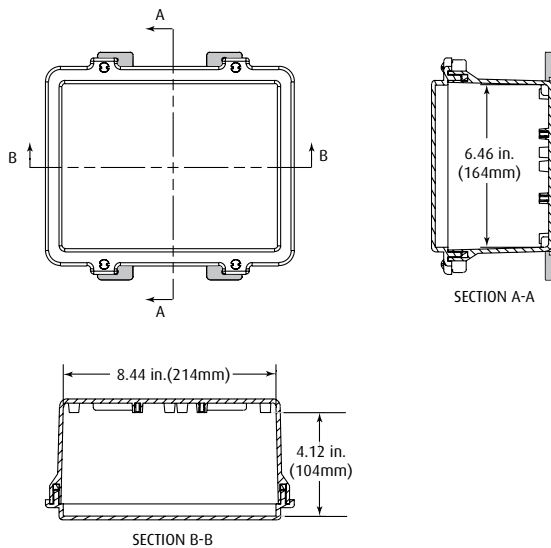
Housings do not include pedestal.

For information on pedestal, see STI-9779 spec sheet.

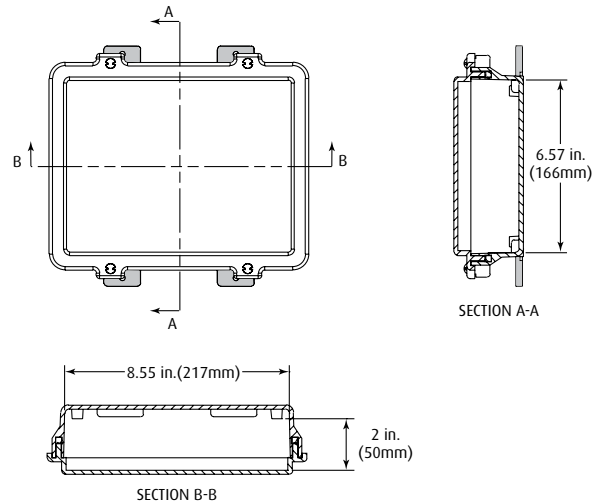
The shaded areas represent the mounting tabs (included with STI-7515 only) for wall installation

	H	W	D
STI-7515A	6.46 in.(164mm)	8.44 in.(214mm)	4.12 in.(104mm)
STI-7515F	6.57 in.(166mm)	8.55 in.(217mm)	2 in.(50mm)

A MODELS



F MODELS



Safety Technology International, Inc.

2306 Airport Road
Waterford, Michigan
48327, USA

Tel: 248-673-9898
Fax: 248-673-1246
Tollfree: 800-888-4784
info@sti-usa.com
www.sti-usa.com

Unit 49G Pipers Road
Park Farm Industrial Estate
Redditch, Worcestershire
B98 0HU England

Tel: 44 (0) 1527 520 999
Fax: 44 (0) 1527 501 999
Free: 0800 085 1678 (UK)
www.sti-europe.com