

STI Smoke Detector Damage Stopper®



STI-8100



See Reverse



STI-8200-W



STI-8230-SS



Specific smoke detectors only



PRODUCT OVERVIEW

Stainless Steel

This heavy-duty, 1.2 mm stainless steel cover features a natural resistance to corrosion. This makes it an excellent choice for any application where food is present as well as use in water treatment plants and correctional facilities. It is available for flush mount (STI-8200-SS) or with an available conduit spacer for surface mount (STI-8230-SS, shown). Easy to install, it helps assure that the smoke detector will remain operational in applications where vandalism and accidental damage are causing false fire alarms or high maintenance costs.

Coated Cold-Rolled Steel

Here is a protective cover for persons who prefer the strength and durability of steel but need not be concerned with the presence of food in the area. It is fabricated from 1.5 mm cold rolled steel with a white corrosion-resistant polyester coating. As the stainless steel cover, it is available for flush mount (STI-8200-W) or with a spacer for surface mount (STI-8230-W). Surface models include tamper-resistant fasteners for added protection against vandalism. Tamperproof fasteners are available for flush models.

Polycarbonate

Two models available: STI-8100 for flush mount and STI-8130 with a spacer for surface mount. They are offered in clear, black or white polycarbonate.

FEATURES

- Available conduit spacers allow them to be easily mounted over surface mount detectors with or without conduit.
- UL Listed to U.S. and Canadian safety standards for use with specific smoke detectors. See reverse for details.
- Helps assure smoke detectors will be operational when needed.
- Exceptional durability.
- Easy installation and easy removal for servicing detectors.
- Tamper resistant hardware included for surface models.
- Aesthetically pleasing with the choice of stainless steel, coated cold rolled steel or polycarbonate.
- Covers protect against severe vandalism and accidental damage.
- Three year guarantee against breakage in normal use.

STI Smoke Detector Damage Stopper®

Dimensions and Technical Information

MODELS AVAILABLE

Polycarbonate

- STI-8100** Clear, flush mount Damage Stopper with mounting hardware
- STI-8100-BK** Black, flush mount Damage Stopper with mounting hardware
- STI-8100-W** White, flush mount Damage Stopper with mounting hardware
- STI-8130** Surface mount Damage Stopper, STI-8100, STI-8101 conduit spacer and mounting hardware

Stainless Steel (1.2 mm)

- STI-8200-SS** Smoke Detector Damage Stopper - flush mount - stainless steel
- STI-8230-SS** Smoke Detector Damage Stopper with conduit spacer - surface mount - stainless steel

Cold Rolled Steel coated white (1.5 mm)

- STI-8200-W** Smoke Detector Damage Stopper - flush mount - white coated steel
- STI-8230-W** Smoke Detector Damage Stopper with conduit spacer - surface mount - white coated steel

Accessories

- SUB-81** Tamper resistant screws, #8 X 2 " snake eye (quantity 4) for use with STI-8100
- SUB-82** Tamper proof stainless steel screws for flush mounted covers
- STI-8101** Stackable two inch conduit spacer (included with STI-8130)
- STI-8170** Mounting backplate for flush and surface mount models. Recommended for irregular and unstable mounting surfaces such as drop ceilings and beams
- STI-8201-SS** Stainless steel spacer for conduit applications
- STI-8201-W** Cold rolled steel spacer for conduit applications
- 19038** Tamper bit for SUB-81 and SUB-82

APPROVALS & WARRANTY

TESTING

STI-8200 and **STI-8230** models are UL Listed (No. S3504) for use with no sensitivity adjustment needed on:

- System Sensor SSD-2251
- FCI Model ASD-PL
- Secutron Model MRI-2251
- EST Model 2251F
- Honeywell TC806B1001)

ULC Listed for use with:

- Siemens FP-11C
- California State Fire Marshal No. 7300-1416101

STI-8100 and **STI-8130** have been tested and listed by:

- UL Listed (No. S3504) for use with:

STI-8100 cover approved for ceiling or wall mount applications and either flush or surface (raceway/conduit) situations with no sensitivity change with the following smoke detectors:

- Notifier model FSP-751
- System Sensor model 2251
- FCI model ASD-PL
- Secutron model MRI-2251
- EST model 2251F
- Honeywell TC806B1001
- Sentrol/GE Interlogix 611UD, 612UD, 721UD and 731UD (No sensitivity adjustment needed)

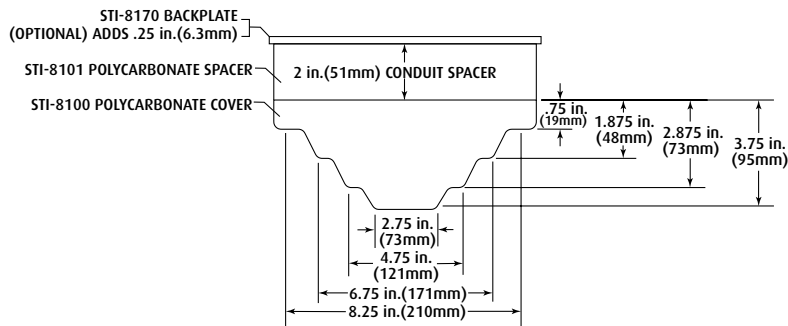
STI-8130 cover and spacer:

- Sentrol/GE Interlogix models 611UD, 612UD, 721UD and 731UD (No sensitivity adjustment needed)
- Factory Mutual System
- California State Fire Marshal No. 7300-1416:101
- New York City Board of Standards approved

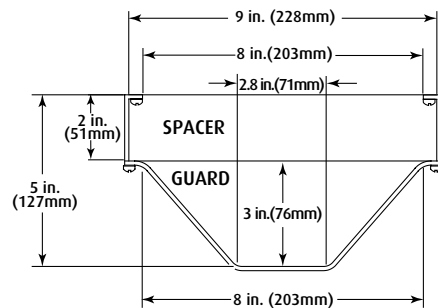
NOTE: STI-8100 series covers are to be used at your own risk if mounted over a non UL Listed product.

WARRANTY

Three year guarantee against breakage in normal use.



**STI-8100 AND STI-8130
PRODUCT DIMENSIONS**



**STI-8200 AND STI-8230
PRODUCT DIMENSIONS**



**Safety Technology
International, Inc.**

2306 Airport Road
Waterford, Michigan
48327, USA

Tel: 248-673-9898
Fax: 248-673-1246
Tollfree: 800-888-4784
info@sti-usa.com
www.sti-usa.com

Unit 49G Pipers Road
Park Farm Industrial Estate
Redditch, Worcestershire
B98 0HU England

Tel: 44 (0) 1527 520 999
Fax: 44 (0) 1527 501 999
Free: 0800 085 1678 (UK)
www.sti-europe.com