

STI Stopper® Station Round Illuminated Momentary Button



SSR-2007

PRODUCT OVERVIEW

This round, multipurpose button can mount to a cabinet or anywhere it is needed indoors. For example, it can be used as a push button for a handicap door entrance, door release, exit door, access control, emergency call or as an emergency power off button. This versatile button has one Form "C" contact rated 10 amps @125/250 VAC and a standard 24 VDC LED. Separate power source for lamp may be required (subject to NEC and local electrical codes). Station housing is molded of super tough white polycarbonate. The illuminated button is available in a choice of three colors: red, green and blue with the word "push" labeled on it.

HOW IT WORKS

Because of the superior design of the button and quality construction, you can expect outstanding performance for years to come. Stopper Station is backed by a three year guarantee against breakage of polycarbonate in normal use (one year on electro mechanical and electronic components).

FEATURES

- Momentary illuminated push button.
- Illuminated button Includes one Form "C" contact rated at 10 amp @ 125/250 VAC, 1/2 HP 30 VDC, 6A.
- Polycarbonate housing protects switch contact.
- Includes a long-life 24 VDC LED. A 12 VDC LED or T 3 1/4 wedge incandescent lamp is available.
- Covers available to prevent accidental or malicious activation with or without pre-action sounder.
- Button color choices include: red, blue and green.
- Easy installation.
- Three year guarantee against breakage of polycarbonate in normal use (one year on electro mechanical and electronic components).

STI Stopper® Station Round Illuminated Momentary Button

Dimensions and Technical Information

MODELS AVAILABLE

SSR-2007	Round Illuminated Momentary Button - Red
SSR-2107	Round Illuminated Momentary Button - Green
SSR-2407	Round Illuminated Momentary Button - Blue

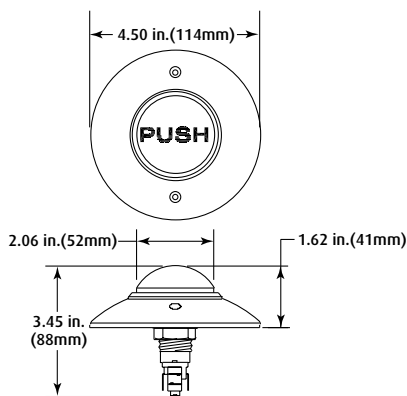
APPROVALS & WARRANTY

TESTING

- Meets ADA operational requirements

WARRANTY

Three year guarantee against breakage of polycarbonate in normal use (one year on electro mechanical and electronic components).



**Safety Technology
International, Inc.**

2306 Airport Road
Waterford, Michigan
48327, USA

Tel: 248-673-9898
Fax: 248-673-1246
Tollfree: 800-888-4784
info@sti-usa.com
www.sti-usa.com

Unit 49G Pipers Road
Park Farm Industrial Estate
Redditch, Worcestershire
B98 0HU England

Tel: 44 (0) 1527 520 999
Fax: 44 (0) 1527 501 999
Free: 0800 085 1678 (UK)
www.sti-europe.com