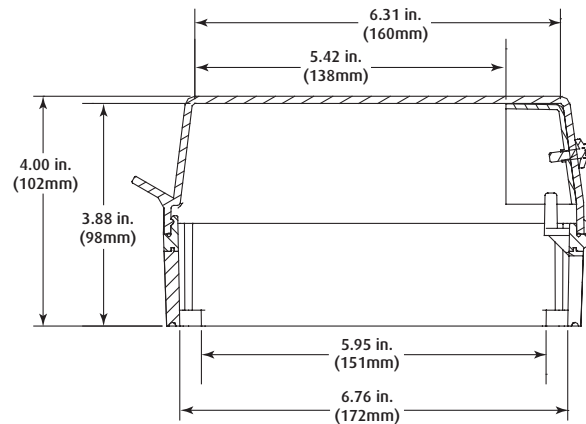
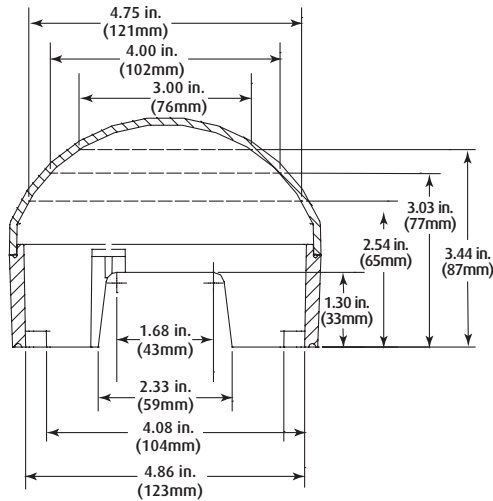


FLUSH MOUNT DIMENSIONS



SURFACE MOUNT DIMENSIONS

Product Dimensions

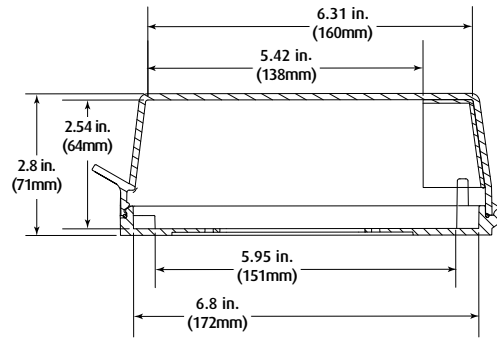
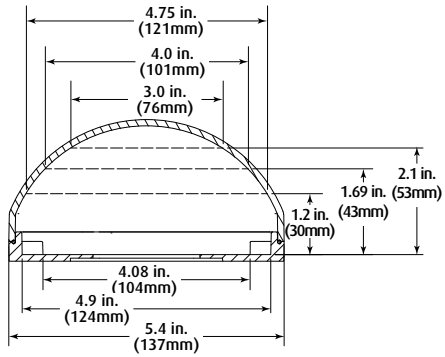
EXTERNAL DIMENSIONS

- FLUSH 5.4 W x 8.15 H x 2.66 in. D (137 x 207 x 68mm)
- SURFACE 5.4 W x 8.15 H x 4.00 in. D (137 x 207 x 102mm)

Three year warranty or a one year limited warranty (from date of purchase) on most products. See website for details. Electronic warranty form at www.sti-usa.com/wc14.

DIMENSIONS FOR STI-13000 SERIES UNIVERSAL STOPPER®

All specifications and information shown were current as of publication and are subject to change without notice.

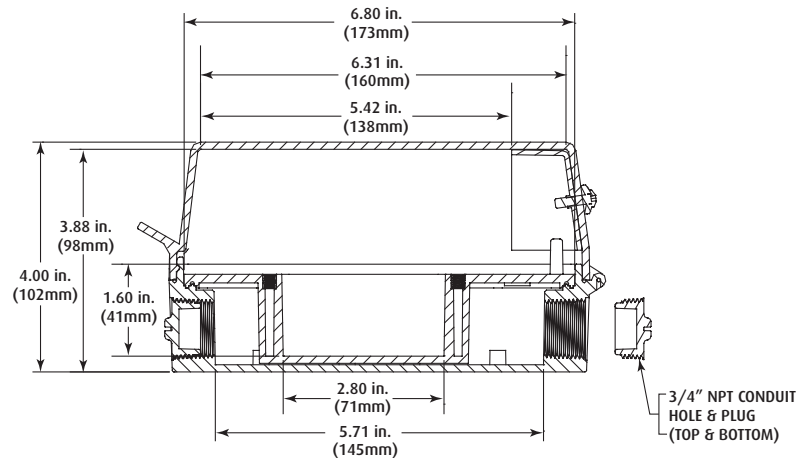
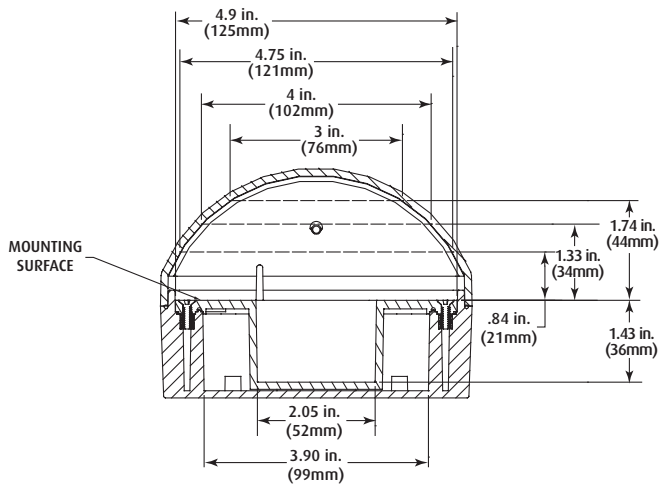
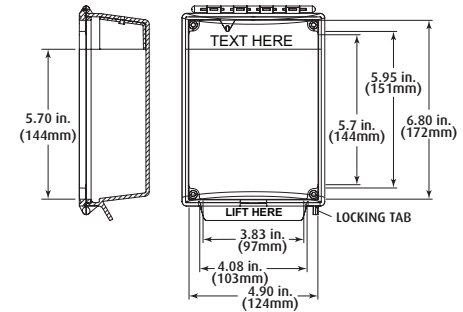


ENCLOSED FLUSH BACK BOX DIMENSIONS

Product Dimensions

EXTERNAL DIMENSIONS

- ENCLOSED FLUSH BACK BOX 5.4 W x 8.15 H x 2.66 in. D (137 x 207 x 68mm)
- ENCLOSED BACK BOX 5.4 W x 8.15 H x 4.00 in. D (137 x 207 x 102mm)



ENCLOSED BACK BOX DIMENSIONS

DIMENSIONS FOR STI-13000 SERIES UNIVERSAL STOPPER®

All specifications and information shown were current as of publication and are subject to change without notice.