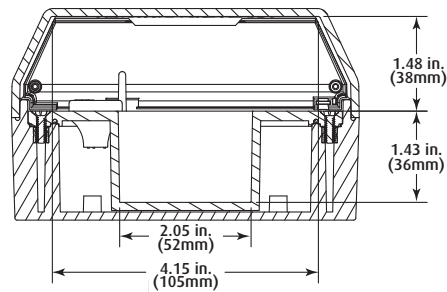
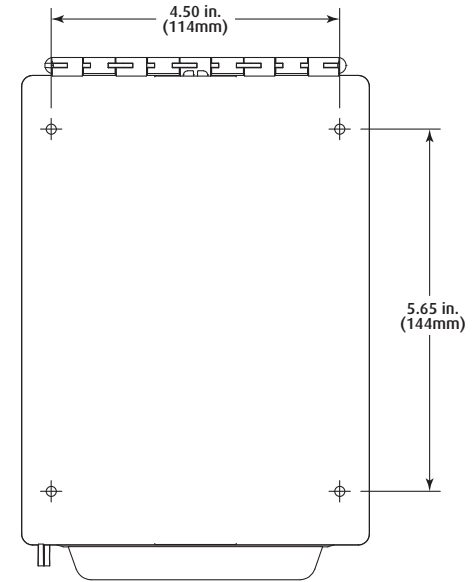
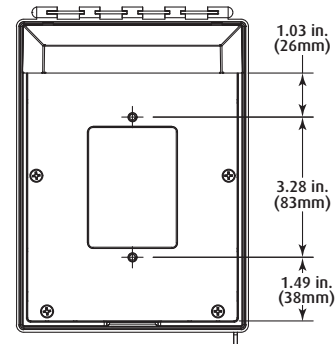


**SECTION B-B**



**SECTION A-A**



Three year warranty or a one year limited warranty (from date of purchase) on most products. See website for details. Electronic warranty form at [www.sti-usa.com/wc14](http://www.sti-usa.com/wc14).

**STI-14410 AND STI-14420 UNIVERSAL STOPPER, LOW PROFILE, ENCLOSED BACKBOX**

All specifications and information shown were current as of publication and are subject to change without notice.