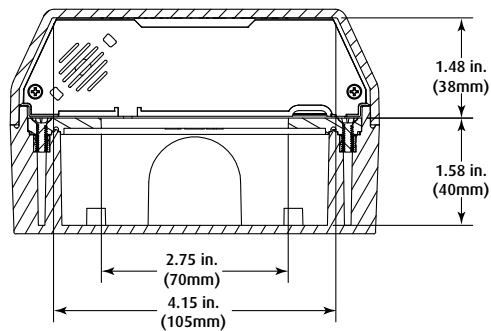
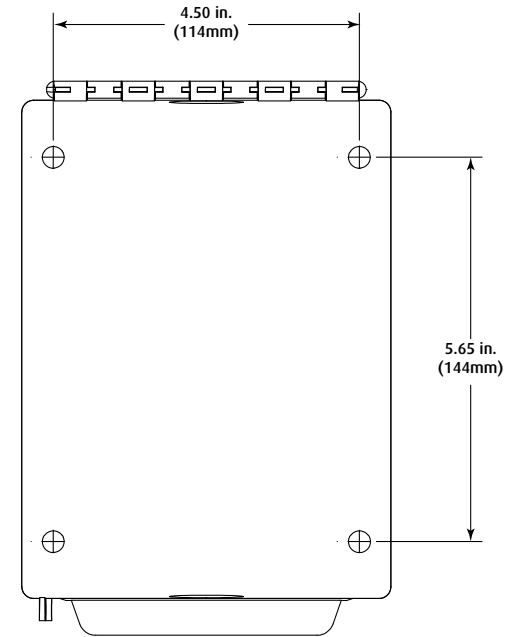
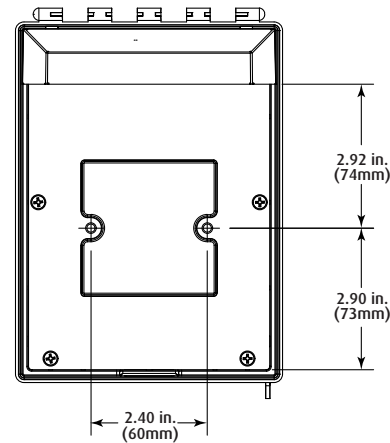


SECTION B-B



SECTION A-A



Three year warranty or a one year limited warranty (from date of purchase) on most products. See website for details. Electronic warranty form at www.sti-usa.com/wc14.

STI-14910 AND STI-14920 UNIVERSAL STOPPER®, LOW PROFILE, ENCLOSED BACK BOX WITH EUROPEAN OPEN MOUNTING PLATE

All specifications and information shown were current as of publication and are subject to change without notice.