

# STI FIRE EXTINGUISHER THEFT STOPPER®



STI-6200

## PRODUCT OVERVIEW

If you are fed up with replacing your fire extinguishers, this sturdy, tamperproof, self-contained alarm is the answer. It has proven highly effective in helping prevent theft, misuse or vandalism of fire extinguishers. Yet, it leaves the extinguisher accessible for emergencies and does not interfere with fire fighting in any way.

## HOW IT WORKS

If the protected fire extinguisher is moved from its normal position, the device emits a piercing alarm. Also, the highly visible stop sign design and the words "STOP, ALARM WILL SOUND" discourages wrongful use. The device is easy to install and a deactivation cable is supplied for ease in servicing the extinguisher. A 9 VDC alkaline battery is included.

## KEY FEATURES

### General Information

- Highly visible "stop" sign design discourages wrongful use of extinguisher.
- Deactivation cable provided for service by authorized personnel.
- Three year guarantee against breakage of polycarbonate in normal use (one year on electro mechanical and electronic components).

### Design

- Compact design 5.375 in. (137mm) in diameter and 2 in. (51mm deep). Mounts easily next to extinguisher.
- Add warning in second language with provided labels (20 languages).

### Construction

- Virtually indestructible polycarbonate housing.

### Installation

- For fire extinguishers housed in cabinets, refer to STI-6255 Mini Theft Stopper®.

### Electronics

- Sounds a powerful warning horn when activated, drawing attention in a hurry.
- 9 VDC alkaline battery is provided.
- Volume:  
HI 112dB @ 1 ft., 103dB @ 3 ft.  
LOW 109dB @ 1 ft., 98dB @ 3 ft.

### Options

- STI-6200WIR supervised wireless 433 MHz (4 or 8-Channel Receiver required). Operates up to 1000' (line of sight).
- 12 VDC powered model available for special applications (STI-6200R).

# STI Fire Extinguisher Theft Stopper®

Dimensions and Technical Information

## MODELS AVAILABLE

<b>STI-6200</b>	Fire Extinguisher Theft Stopper
<b>STI-6200R</b>	Fire Extinguisher Theft Stopper with 12 volt powered horn (power supply sold separately)
<b>STI-6200WIR</b>	Wireless Fire Extinguisher Theft Stopper
<b>STI-6200WIR8</b>	Wireless Fire Extinguisher Theft Stopper with 8-Channel Receiver
<b>STI-V6200WIR4</b>	Wireless Fire Extinguisher Theft Stopper with 4-Channel Voice Receiver
<b>STI-34108</b>	8-Channel Receiver
<b>STI-V34104</b>	4-Channel Voice Receiver
<b>KIT-18015-9</b>	6 in. deactivation cable used during service times
<b>KIT-18015-RC</b>	Replacement cable and crimp 16-18 in. long
<b>KIT-6702</b>	Tamper proof screw and wrench
<b>KIT-H19016</b>	Tamper wrench, set of 2

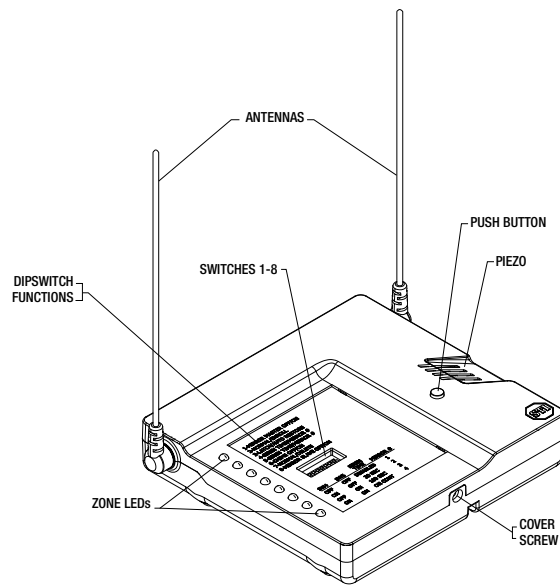
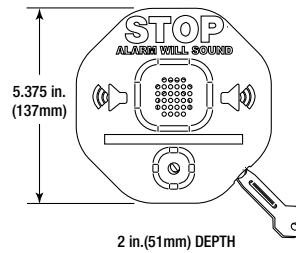
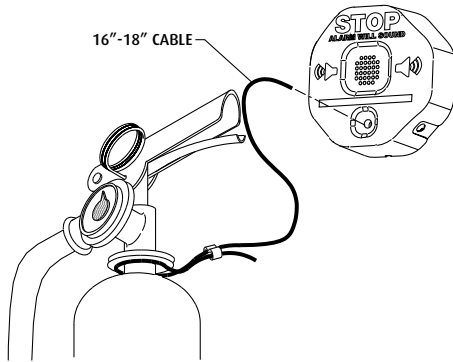
## APPROVALS & WARRANTY

**STI-6200, STI-6200WIR & STI-6200WIR4**  
It has been tested and approved or listed by:

- FCC & IC Compliant
- CE Approved

## WARRANTY

Three year guarantee against breakage of polycarbonate in normal use (one year on electro mechanical and electronic components).



**STI-34108**



**Safety Technology International**

2306 Airport Road  
Waterford, Michigan  
48327, USA

Tel: 248-673-9898  
Fax: 248-673-1246  
Toll-free: 800-888-4784  
info@sti-usa.com  
www.sti-usa.com

Taylor House  
34 Sherwood Road  
Bromsgrove, Worcestershire  
B60 3DR, England

Tel: +44 (0)1527 520 999  
Fax: +44 (0)1527 501 999  
info@sti-emea.com  
www.sti-emea.com