

STI DEFIBRILLATOR THEFT STOPPER®



STI-6205

PRODUCT OVERVIEW

You've made a large investment in employee and consumer health and safety by purchasing an AED. Here is an effective way to help reduce the risk of theft.

HOW IT WORKS

The Defibrillator Theft Stopper incorporates a unique steel cable operated switch mechanism which sounds a powerful alarm when the cable is removed from the unit. Before use, the steel cable is permanently crimped around the handle of the AED. When the AED is removed from its normal position, the alarm will sound. The selectable 95 or 105 dB alarm can be very disturbing to potential thieves and will draw attention in a hurry. Alarm does not hinder access to the AED in any way and allows for proper use of the unit in a medical emergency. Reinserting the cable silences the alarm.

KEY FEATURES

General Information

- Highly visible "stop sign" design discourages wrongful use of extinguisher.
- Deactivation cable provided for service by authorized personnel.
- Three year guarantee against breakage of polycarbonate in normal use (one year on electro mechanical and electronic components).

Design

- Compact design 5.375 in. (137mm) in diameter and 2 in. (51mm deep). Mounts easily next to extinguisher.

Construction

- Virtually indestructible polycarbonate housing.

Installation

- Mounts easily next to emergency chair.

Electronics

- Sounds a powerful 105 dB warning horn when activated, drawing attention in a hurry (95 dB low volume setting can be set if desired).
- 9 VDC alkaline battery is provided.

STI Defibrillator Theft Stopper®

Dimensions and Technical Information

MODEL AVAILABLE

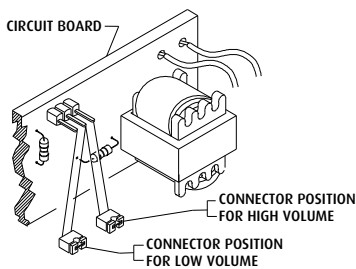
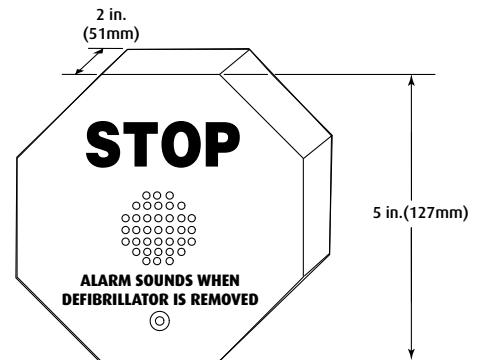
STI-6205	Defibrillator Theft Stopper
KIT-6702	Tamperproof screw kit
KIT-18015-9	Deactivation cable (9")
KIT-18015-RC	Replacement cable

SPECIFICATIONS

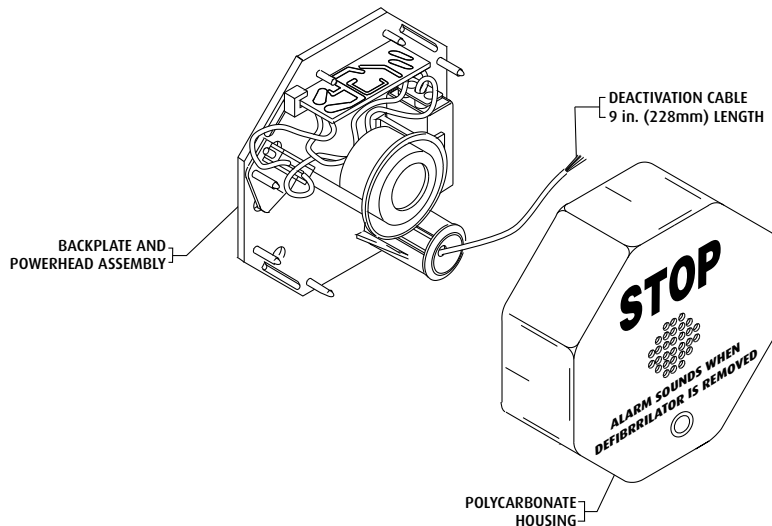
Housing	1/8 in. Polycarbonate
Power Source	9 VDC Alkaline
Warning Horn at 1 foot	95 dB - Low 105 dB - High
Cable	1/8 in. galvanized steel 16 to 18 in. long
Dimensions	5.375 W x 5.375 H x 2 in. D 137 x 137 x 51mm
Standby Current	None
Alarm Current	40 mA at 95 dB 150 mA at 105 dB
Recommended Operating Temperature	32°F to 120°F (0°C to 49°C)

WARRANTY

Three year guarantee against breakage of polycarbonate in normal use (one year on electro mechanical and electronic components).



VIEW SHOWING JUMPER LOCATION FOR VOLUME SETTINGS



Safety Technology
International

2306 Airport Road
Waterford, Michigan
48327, USA

Tel: 248-673-9898
Fax: 248-673-1246
info@sti-usa.com
www.sti-usa.com

Taylor House
34 Sherwood Road
Bromsgrove, Worcestershire
B60 3DR, England

Tel: +44 (0)1527 520 999
Fax: +44 (0)1527 501 999
info@sti-emea.com
www.sti-emea.com