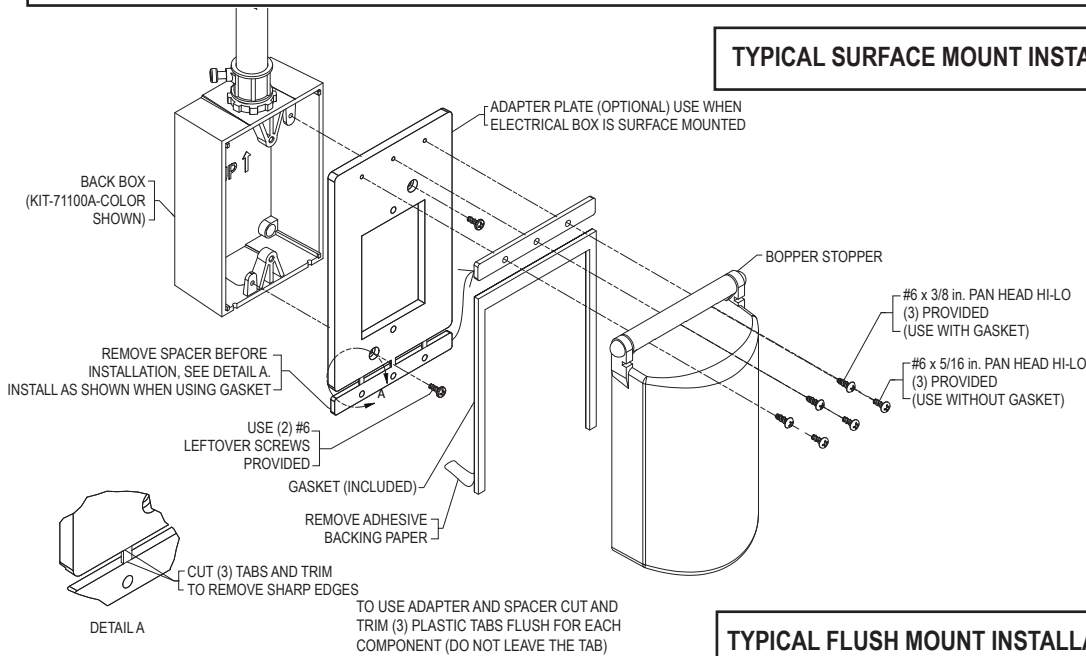
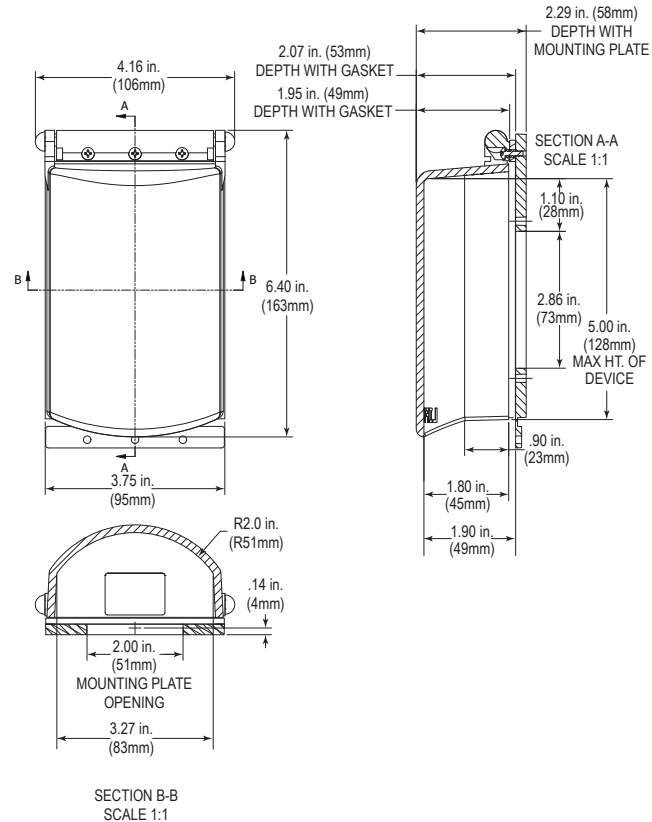
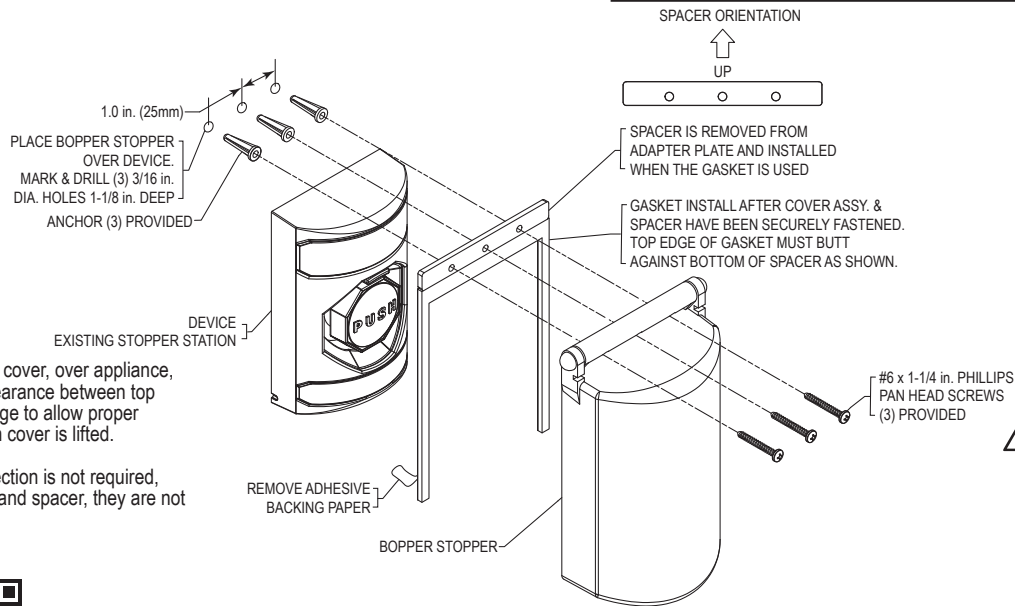




TYPICAL SURFACE MOUNT INSTALLATION



TYPICAL FLUSH MOUNT INSTALLATION



NOTE

When installing cover, over appliance, leave 1/4 in. clearance between top surface and hinge to allow proper clearance when cover is lifted.

If weather protection is not required, discard gasket and spacer, they are not needed.

WARNING: This product can expose you to chemicals including Dichloromethane, which is known to the State of California to cause cancer, and Bisphenol A (BPA), which is known to the State of California to cause birth defects or other reproductive harm. For more information go to www.P65Warnings.ca.gov.

Three year warranty or a one year limited warranty (from date of purchase) on most products. See website for details. Electronic warranty form at www.sti-usa.com/wc14.



STI-6518 BOPPER STOPPER®

All specifications and information shown were current as of publication and are subject to change without notice.

6518IS OCT2006

