

FIGURE 1

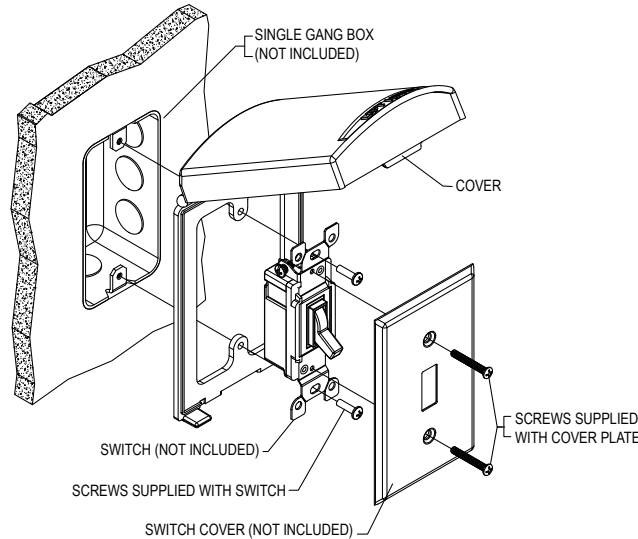
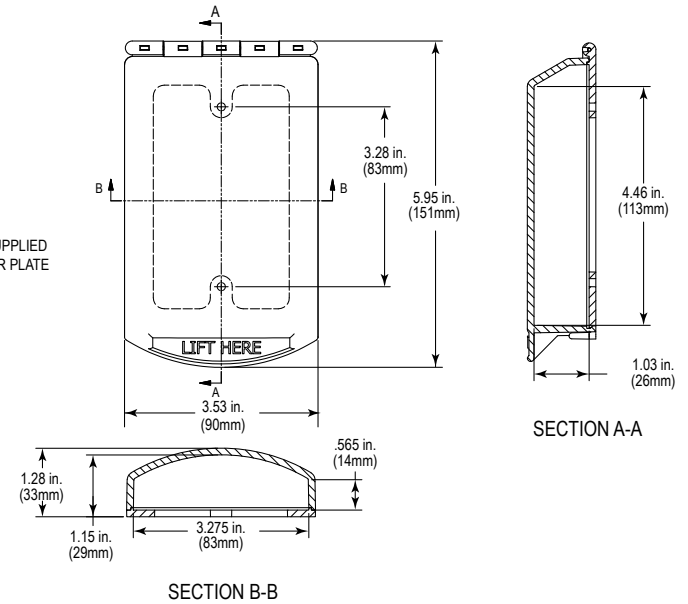


FIGURE 2

**INSTALLATION NOTES (FIG. 1 & 2)**

1. Place cover with frame on the electrical box.
2. Place switch on the frame of the cover.
3. Insert screws to secure everything together.



SECTION A-A

SECTION B-B

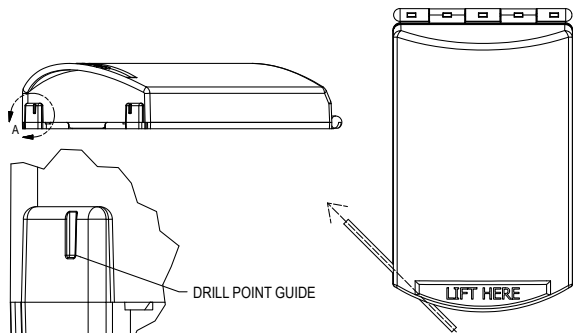


FIGURE 3

**OPTIONAL BREAK AWAY TIE INSTALLATION (FIG. 3)**

1. Drill before mounting cover to wall.
2. With cover closed, find the drill point guide and use it to locate the drill point center.
3. Use a 1/8" drill bit and drill on a 45° angle through the frame and cover.

**⚠ WARNING:** This product can expose you to chemicals including Dichloromethane, which is known to the State of California to cause cancer, and Bisphenol A (BPA), which is known to the State of California to cause birth defects or other reproductive harm. For more information go to [www.P65Warnings.ca.gov](http://www.P65Warnings.ca.gov).

Three year warranty or a one year limited warranty (from date of purchase) on most products. See website for details. Electronic warranty form at [www.sti-usa.com/wc14](http://www.sti-usa.com/wc14).



**STI-6519 SINGLE-GANG PROTECTIVE COVER**

All specifications and information shown were current as of publication and are subject to change without notice.