

STI Call Point Stopper®



STI-6930



STI-6930-G



STI-6930-Y

NEW COLOURS AVAILABLE



STI-6930-B



STI-6930-E



STI-6930-W

PRODUCT OVERVIEW

Protective cover helps prevent malicious or accidental damage to electrical switches and call points. The Call Point Stopper is an aesthetic, inexpensive cover which provides a secure fit to a wide range of electrical switches and call points. The cover prevents misuse to the device without restricting legitimate operation. It is ideal for shopping centres, hotels, schools, colleges, hospitals, nursing homes and all public buildings where there is a risk of malicious or accidental activation.

HOW IT WORKS

The Call Point Stopper consists of a clear, tamperproof, tough polycarbonate hinged cover that retrofits securely over the existing device. Simply lift the cover to gain access to the device. Once the cover is released the spring loaded hinge returns the cover to its original position.

KEY FEATURES

General Information

- Protective cover helps prevent malicious or accidental damage to electrical switches and call points.
- Three year guarantee against breakage of polycarbonate in normal use.

Design

- Prevents unwanted or accidental use, without hindering legitimate operation of a manual call point in the event of an emergency.
- Spring loaded hinge mechanism.

Construction

- Tough polycarbonate housing can withstand the severest of knocks.

Installation

- A simple 4 fixing installation can retrofit over existing device.
- Can accommodate flush or surface mounted applications.
- Typical working properties of polycarbonate are -40°C to 121°C (-40° to 250°F)

Options

- Available in a range of colours.
- Custom labelling available.

STI Call Point Stopper®

Dimensions and Technical Information

MODELS AVAILABLE

STI-6930 Call Point Stopper - flush mount

STI-6931 Call Point Stopper - surface mount (includes 1.38in.(35mm) spacer)

Accessories:

STI-6903 1.38in. (35mm) spacer (included with STI-6931 models)

Options:

Colors: green: -G, yellow: -Y, blue: -B, orange: -E, white: -W

Available (e.g. STI-6930-G for Call Point Stopper flush mount in green)

Labels:

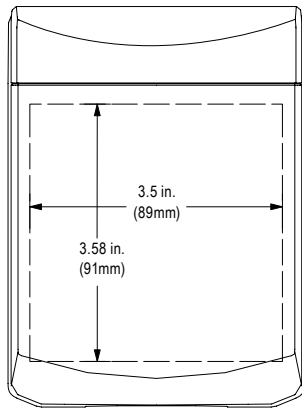
Red models 'IN CASE OF FIRE - LIFT COVER BREAK GLASS'

Green models 'IN CASE OF EMERGENCY LIFT COVER - BREAK GLASS TO OPEN DOOR'

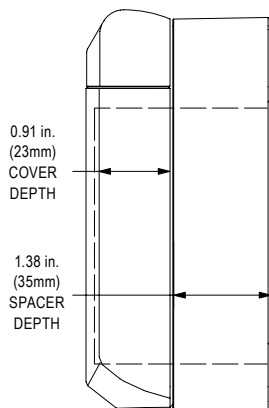
Yellow, blue, white and orange models 'IN CASE OF EMERGENCY LIFT COVER - OPERATE DEVICE'

EXTERNAL DIMENSIONS (inches)

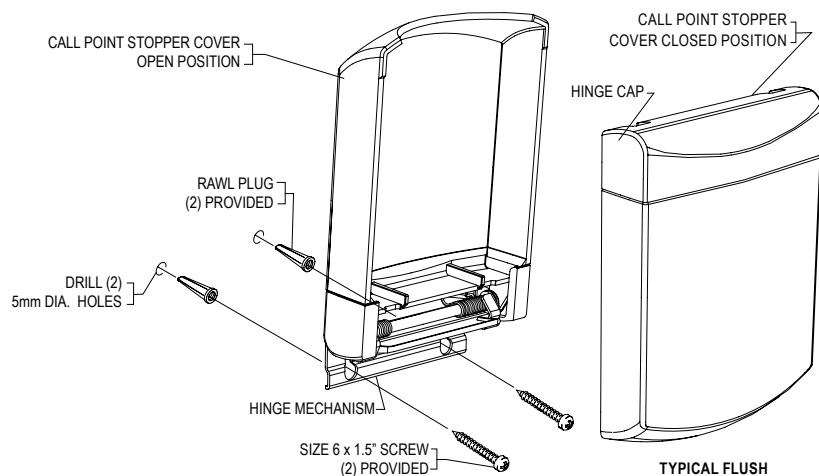
Mounting Option	Height	Width	Depth
Flush	5.59	4.17	1.22
Surface	5.59	4.17	2.60



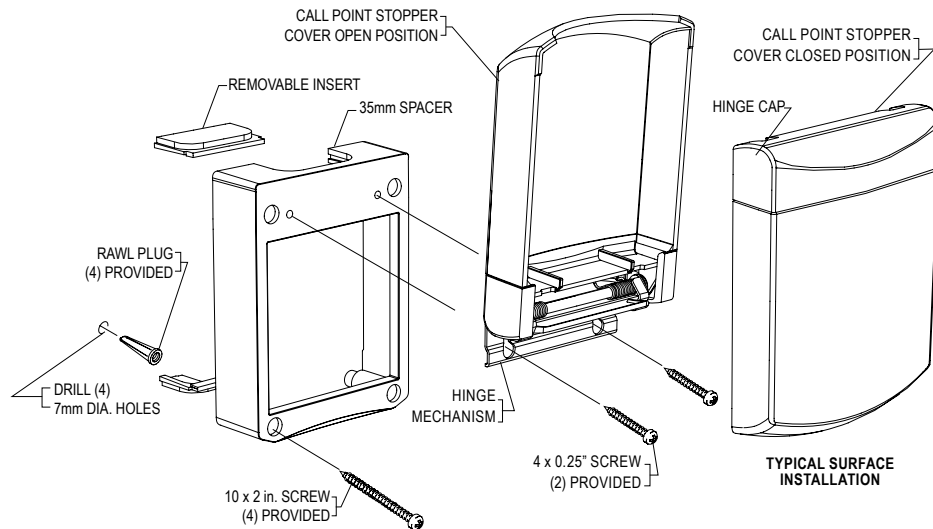
FRONT VIEW



SIDE VIEW



TYPICAL FLUSH
INSTALLATION



TYPICAL SURFACE
INSTALLATION



**Safety Technology
International**

2306 Airport Road info@sti-usa.com
Waterford, MI www.sti-usa.com
48327, USA Tel:248-673-9898

Taylor House
34 Sherwood Rd., Bromsgrove,
Worcs., B60 3DR, England

info@sti-emea.com
www.sti-emea.com
Tel: +44 (0) 1527 520 999

Unit 7A Lockheed Avenue
Airport Business Park
Waterford X91 HWF2 Ireland