

STI-7510 with Key Lock
STI-7511 with Thumb Lock
STI-7510/11-OW White Back Box

INSTALLATION INSTRUCTIONS

1. Insert the (4) mounting tabs into the back box slots with A, B, C, and F models.
2. Using the installed mounting tab holes or internal mounting bosses as a template, mark and drill (4) 1/4 in. diameter holes and complete installation as shown.

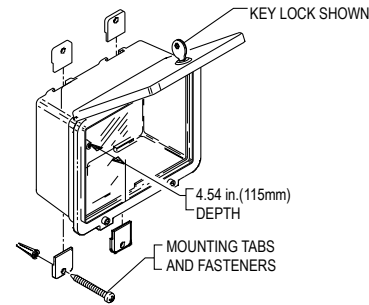
CLEANING INSTRUCTIONS

Rinse with water to remove abrasive dust and dirt. Wash with soap or mild detergent, using a soft cloth. (Do not scrub or use brushes or abrasives.) Rinse once more, then dry using a soft cloth or chamois. To remove grease or wet paint, rub gently with a cloth wetted thoroughly with naphtha (do not use razor blades or gasoline). Then wash and rinse.

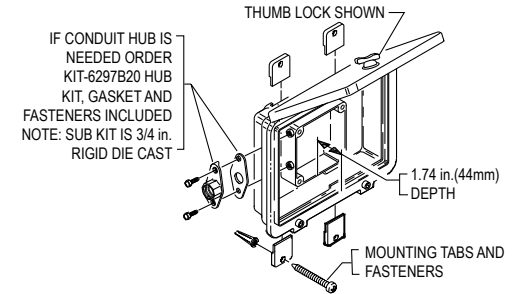
⚠ WARNING: This product can expose you to chemicals including Dichloromethane, which is known to the State of California to cause cancer, and Bisphenol A (BPA), which is known to the State of California to cause birth defects or other reproductive harm. For more information go to www.P65Warnings.ca.gov.

Three year warranty or a one year limited warranty (from date of purchase) on most products. See website for details. Electronic warranty form at www.sti-usa.com/wc14.

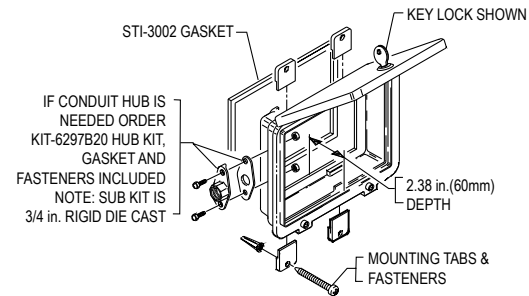
STI-7510A, STI-7510A-OW, STI-7511A, STI-7511A-OW
SEALED BACK BOX WITH EXTERNAL MOUNTING DEPTH



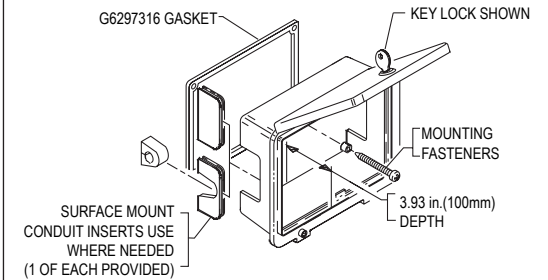
STI-7510B, STI-7511B
SEALED BACK BOX WITH EXTERNAL MOUNTING AND MOLDED DOUBLE GANG OUTLET BOX



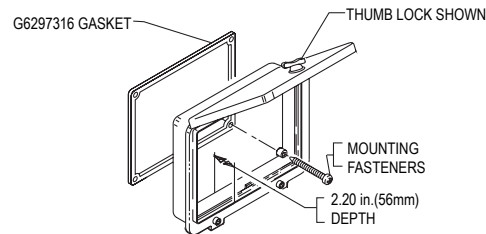
STI-7510C, STI-7511C
OPEN BACK BOX WITH EXTERNAL MOUNTING



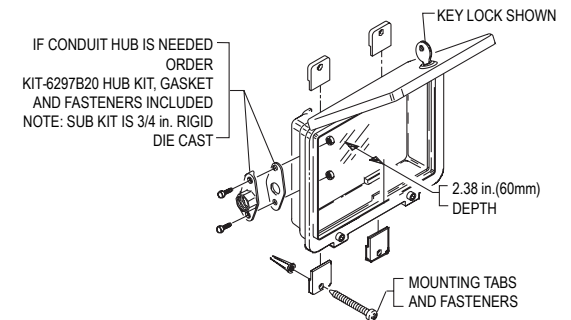
STI-7510D, STI-7511D
OPEN BACK BOX WITH INTERNAL MOUNTING



STI-7510E, STI-7511E
OPEN BACK BOX WITH INTERNAL MOUNTING



STI-7510F, STI-7510F-OW, STI-7511F, STI-7511F-OW
SEALED BACK BOX WITH EXTERNAL MOUNTING



STI-7510 & STI-7511 POLYCARBONATE ENCLOSURES

All specifications and information shown were current as of publication, and are subject to change without notice.

