

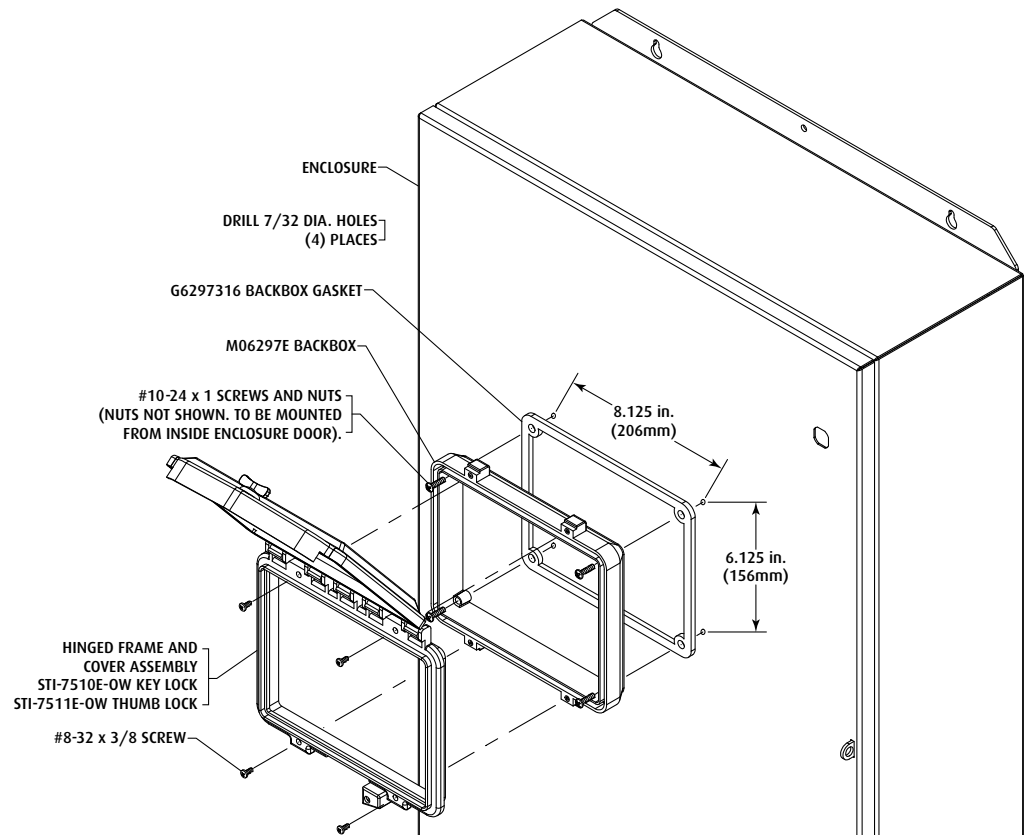


INSTALLATION NOTES

1. Place back box in desired position on enclosure surface. Mark the four hole locations onto enclosure surface.
2. With a center punch, punch the center point of the four marked holes. This will help guide the drill on location when drilling holes in enclosure.
3. Use 7/32" diameter drill bit and drill through the four marked holes in enclosure.
4. Peel backing from back box gasket and place on enclosure by lining up the holes on gasket to the four drilled holes in enclosure and press firmly.
5. Place back box onto back box gasket and insert the four #10-24 screws and apply the four hex Keps nuts (not shown) from inside enclosure. Tighten hex Keps nuts to 6 in.-lbs. (27N)
6. Place hinged frame and cover assembly onto back box and fasten using the four #8-32 screws as shown. Tighten to 6 in.-lbs. (27N)

Installation Shown in Horizontal Position

Enclosure may be mounted on a vertical flat surface horizontally or vertically. With hinged cover closed, the lock can be oriented left, right or bottom only and shall never be oriented with the lock in the "up" position. Mounting hole locations provided for your reference.



⚠ WARNING: This product can expose you to chemicals including Dichloromethane, which is known to the State of California to cause cancer, and Bisphenol A (BPA), which is known to the State of California to cause birth defects or other reproductive harm. For more information go to www.P65Warnings.ca.gov.

Three year warranty or a one year limited warranty (from date of purchase) on most products. See website for details. Electronic warranty form at www.sti-usa.com/wc14.

INSTALLATION OF STI-7510E-OW POLYCARBONATE ENCLOSURE

All specifications and information shown were current as of publication and are subject to change without notice.