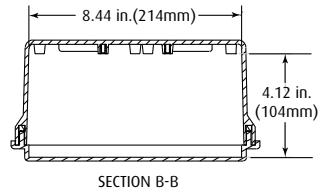
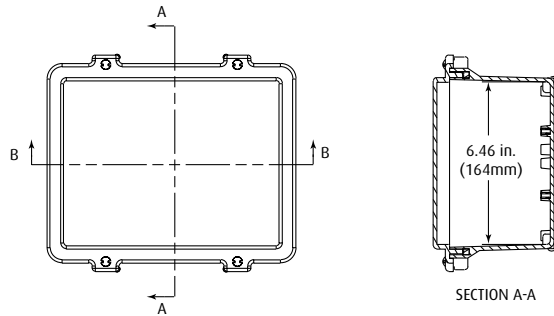




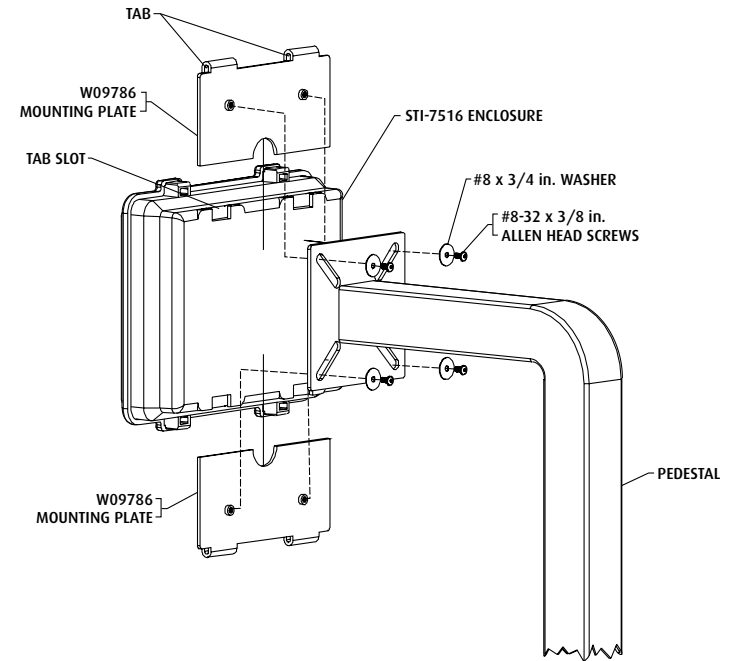
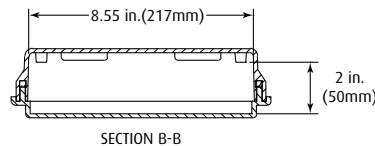
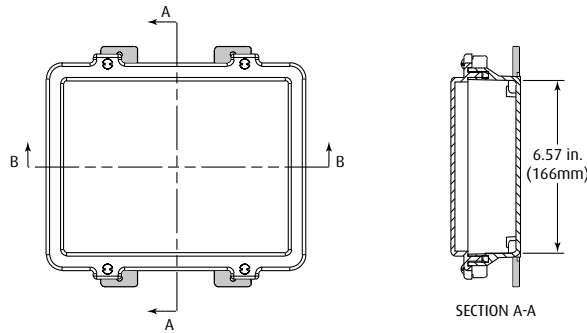
STI-7516A - Access Control Housing, wall mount, with "A" back box

STI-7516F - Access Control Housing, wall mount, with "F" back box

A MODELS



F MODELS



INSTALLATION INSTRUCTIONS

1. Slide mounting tab hooks into tab slot in enclosure back box.
2. Drill access hole for wires in back box. Route wires into cover. Seal hole around wires.
3. Mount enclosure with mounting plates to pedestal through angle slots.
4. Fasten enclosure and mounting plates to pedestal with washers and screws.

⚠ WARNING: This product can expose you to chemicals including Dichloromethane, which is known to the State of California to cause cancer, and Bisphenol A (BPA), which is known to the State of California to cause birth defects or other reproductive harm. For more information go to www.P65Warnings.ca.gov.

Three year warranty or a one year limited warranty (from date of purchase) on most products. See website for details. Electronic warranty form at www.sti-usa.com/wc14.

INSTALLATION OF STI-7516 ACCESS CONTROL HOUSING

All specifications and information shown were current as of publication and are subject to change without notice.