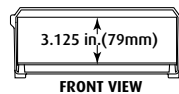
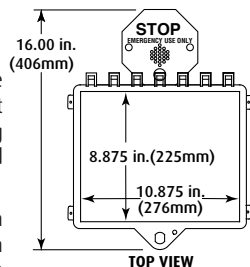


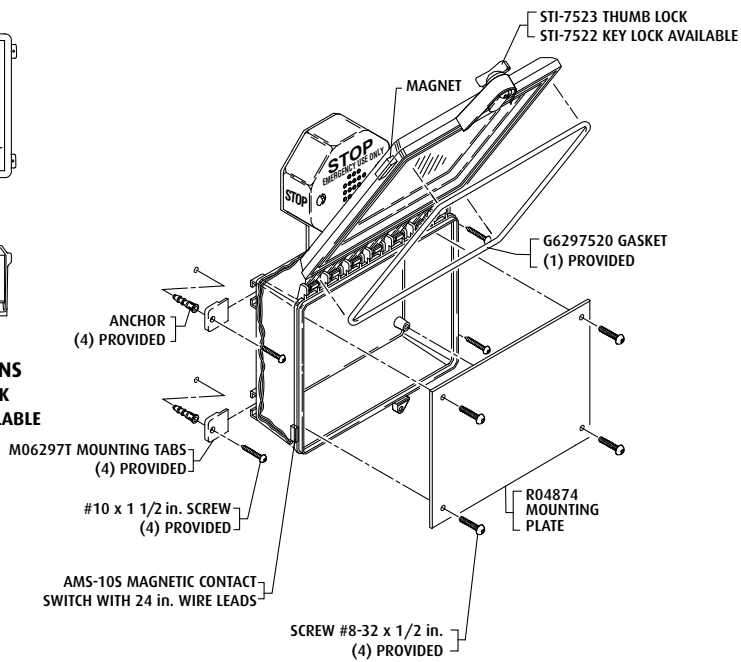


INSTALLATION OF ALARM SYSTEM

- Place the alarm mounting plate on the top center of enclosure. Select at least two of the four optional mounting holes. Mark and drill 3/16 in. holes and install the anchors.
- Fish the magnetic switch wires through the alarm mounting plate and the siren backplate. Next, drive the two alarm mounting screws into the previous installed anchors.
- Install the two magnetic switch wires following the terminal switch diagram (see View B).
- Install the alarm cover using the two tamperproof screws and provided tool.

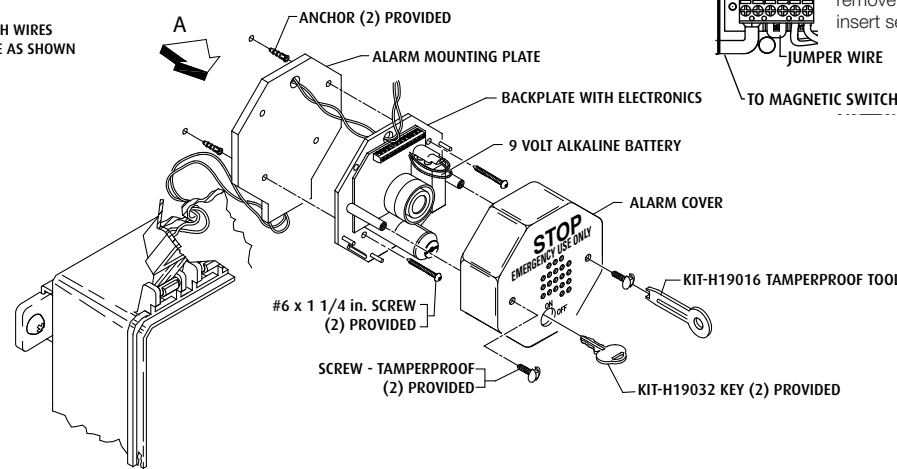
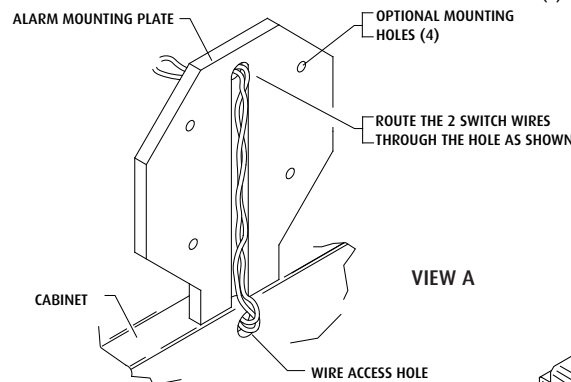


PRODUCT DIMENSIONS
STI-7523 THUMB LOCK
STI-7522 KEY LOCK AVAILABLE



INSTALLATION OF STI-7523 ENCLOSURE

- Insert the (4) mounting tabs fully into back box mounting tab slots. Use rubber mallet if necessary.
- After selecting a suitable location, place enclosure, in closed position, against the wall. Mark and drill (4) 1/4 in. diameter holes. Insert the (4) 19033 anchors.
- Next fish the (2) magnetic switch wires through the access hole at top of enclosure. (see view A). Close and lock enclosure.
- Place enclosure in position making sure the (2) switch wires are not pinched between the wall and enclosure. Drive in the (4) screws. Enclosure is now secure.



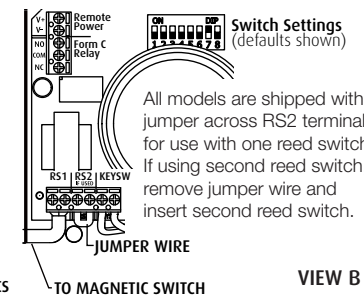
SWITCH SETTINGS	1	2	3	4	5	6	7	8
Arming - immediate	OFF*							
Arming - 15 second delay	ON							
Trip - immediate		OFF*						
Trip - 15 second delay		ON						
Shut-off based on duration (switches 4 & 5)			OFF*					
Shut-off approx. 3 sec. after door closes			ON					
Duration - 30 second alarm				OFF*	OFF*			
Duration - 180 second alarm				OFF	ON			
Duration - continuous alarm				ON	OFF			
Duration - annunciator mode				ON	ON			
Low battery detection on - Turn switch off							OFF*	
Low battery detection off - Turn switch on							ON	
Volume - high								ON*
Volume - low								OFF
Relay function → OFF								OFF*
Relay function → ON								ON

*default

Slide lever to desired ON/OFF position as labeled on circuit board.

*factory settings

NOTE: **Disconnect all power sources before changing switch settings.**



All models are shipped with jumper across RS2 terminals for use with one reed switch. If using second reed switch, remove jumper wire and insert second reed switch.

VIEW B

WARNING: This product can expose you to chemicals including Dichloromethane, which is known to the State of California to cause cancer, and Bisphenol A (BPA), which is known to the State of California to cause birth defects or other reproductive harm. For more information go to www.P65Warnings.ca.gov.
 Three year warranty or a one year limited warranty (from date of purchase) on most products. See website for details. Electronic warranty form at www.sti-usa.com/wc14.

INSTALLATION OF STI-7523 PROTECTIVE CABINET

All specifications and information shown were current as of publication and are subject to change without notice.