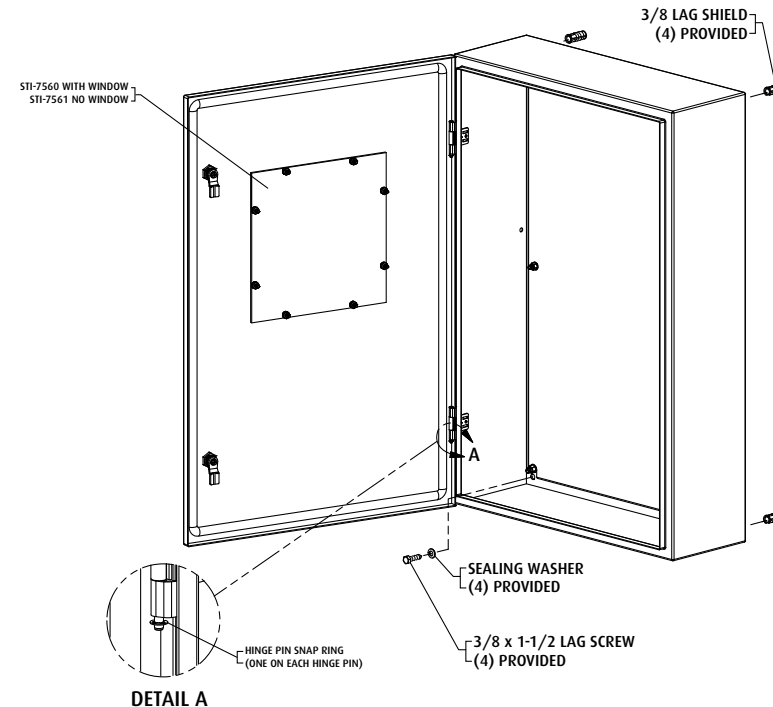
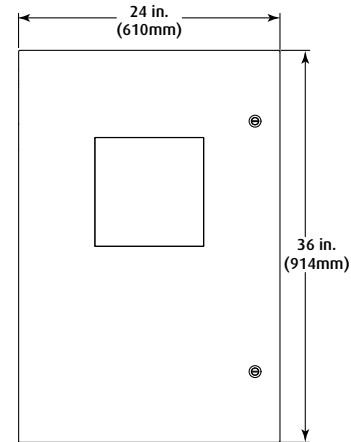




INSTALLATION INSTRUCTIONS

1. Using needle-nose pliers remove both hinge pin snap rings.
2. Push out or lift out hinge pins and remove door.
3. Place enclosure on wall and mark top right hole position onto wall. Set enclosure aside.
4. Drill hole according to note above.
5. Insert lag screw into sealing washer. Place enclosure on wall and insert lag screw with sealing washer through enclosure and into drilled hole. Finger tighten only.
6. Allow enclosure to pivot and hang from lag screw.
7. Set a level on top of enclosure and level enclosure. Mark the remaining three mounting holes onto wall.
8. Allow enclosure to pivot and hang from lag screw and drill the remaining three holes.
9. Insert the remaining three lag screws with sealing washers through enclosure into wall and tighten all (4) lag screws.



Three year warranty or a one year limited warranty (from date of purchase) on most products. See website for details.
Electronic warranty form at www.sti-usa.com/wc14.

STI-7560 AND STI-7561 ENCLOSURE MOUNTING INSTRUCTIONS

All specifications and information shown were current as of publication and are subject to change without notice.