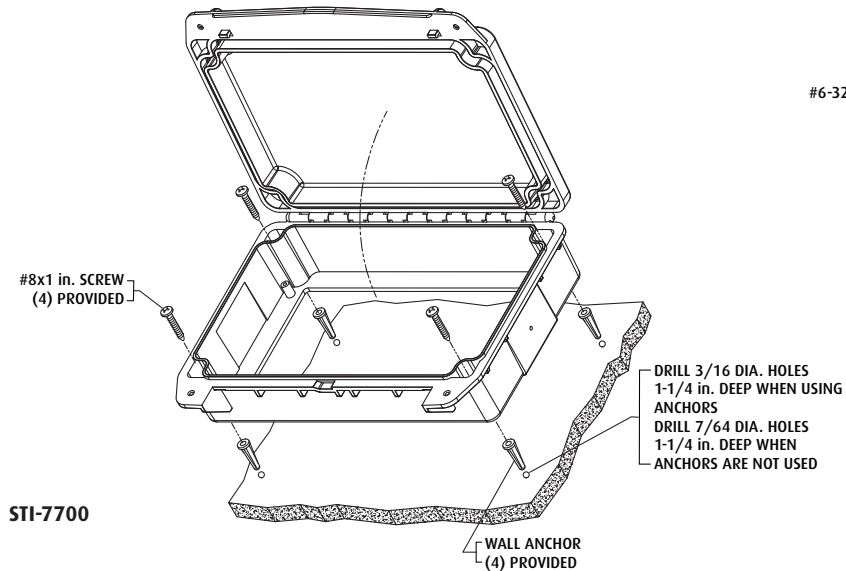




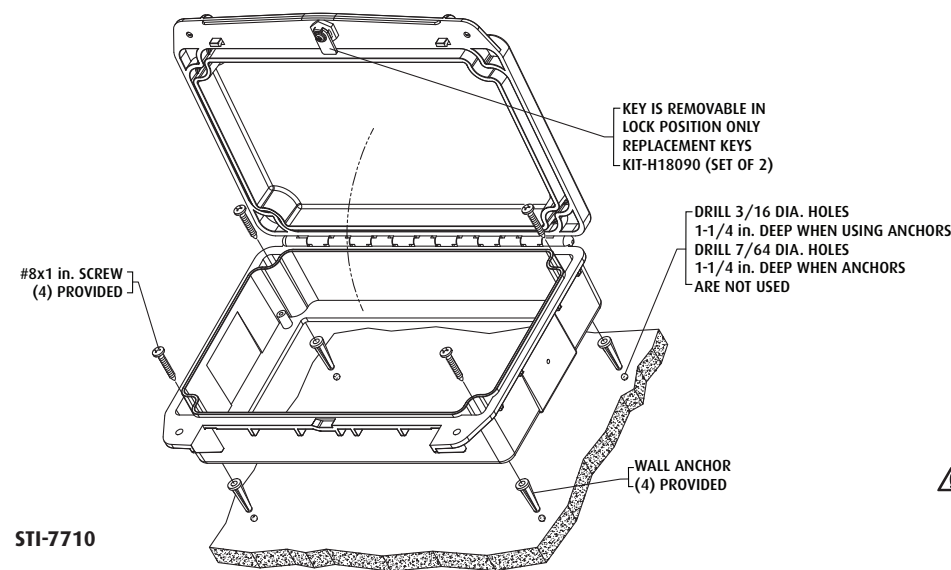
**Safety Technology  
International**

2306 Airport Road • Waterford, Michigan 48327-1209  
Phone: 248-673-9898 • Fax: 248-673-1246  
Toll Free: 800-888-4784 • E-mail: info@sti-usa.com  
Web: www.sti-usa.com

Taylor House • 34 Sherwood Road • Bromsgrove  
Worcestershire • B60 3DR • England  
Tel: +44 (0)1527 520 999 • Fax: +44 (0)1527 501 999  
E-mail: info@sti-emea.com • Web: www.sti-emea.com

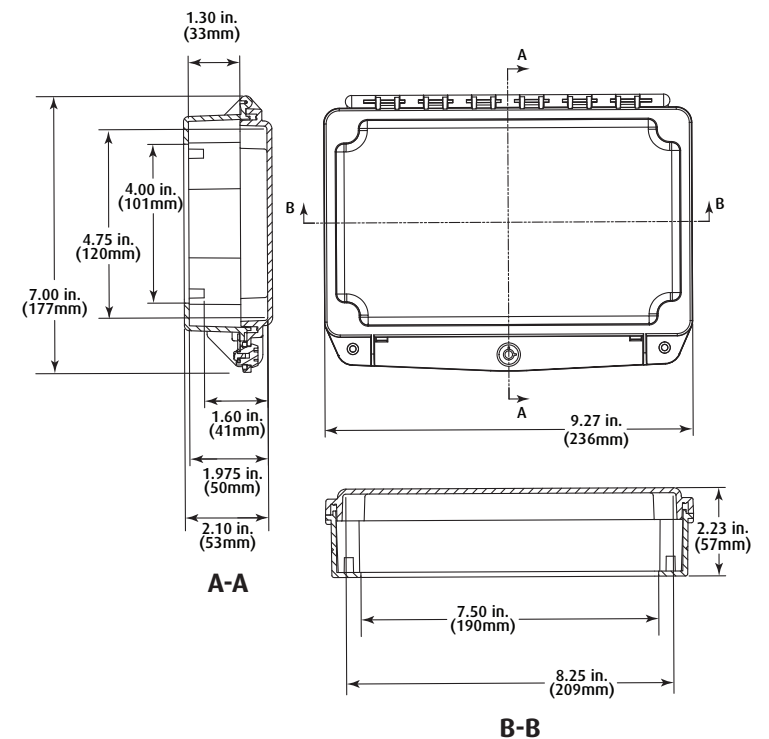
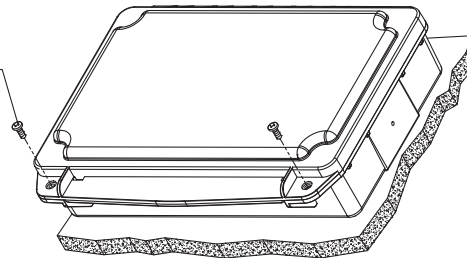


STI-7700



STI-7710

#6-32 x 3/8 in. MACHINE SCREW (2) PROVIDED



**⚠ WARNING:** This product can expose you to chemicals including Dichloromethane, which is known to the State of California to cause cancer, and Bisphenol A (BPA), which is known to the State of California to cause birth defects or other reproductive harm. For more information go to [www.P65Warnings.ca.gov](http://www.P65Warnings.ca.gov).

Three year warranty or a one year limited warranty (from date of purchase) on most products. See website for details. Electronic warranty form at [www.sti-usa.com/wc14](http://www.sti-usa.com/wc14).

### INSTALLATION OF STI-7700 & STI-7710 POLYCARBONATE COVER WITH OPEN BACK BOX

All specifications and information shown were current as of publication and are subject to change without notice.

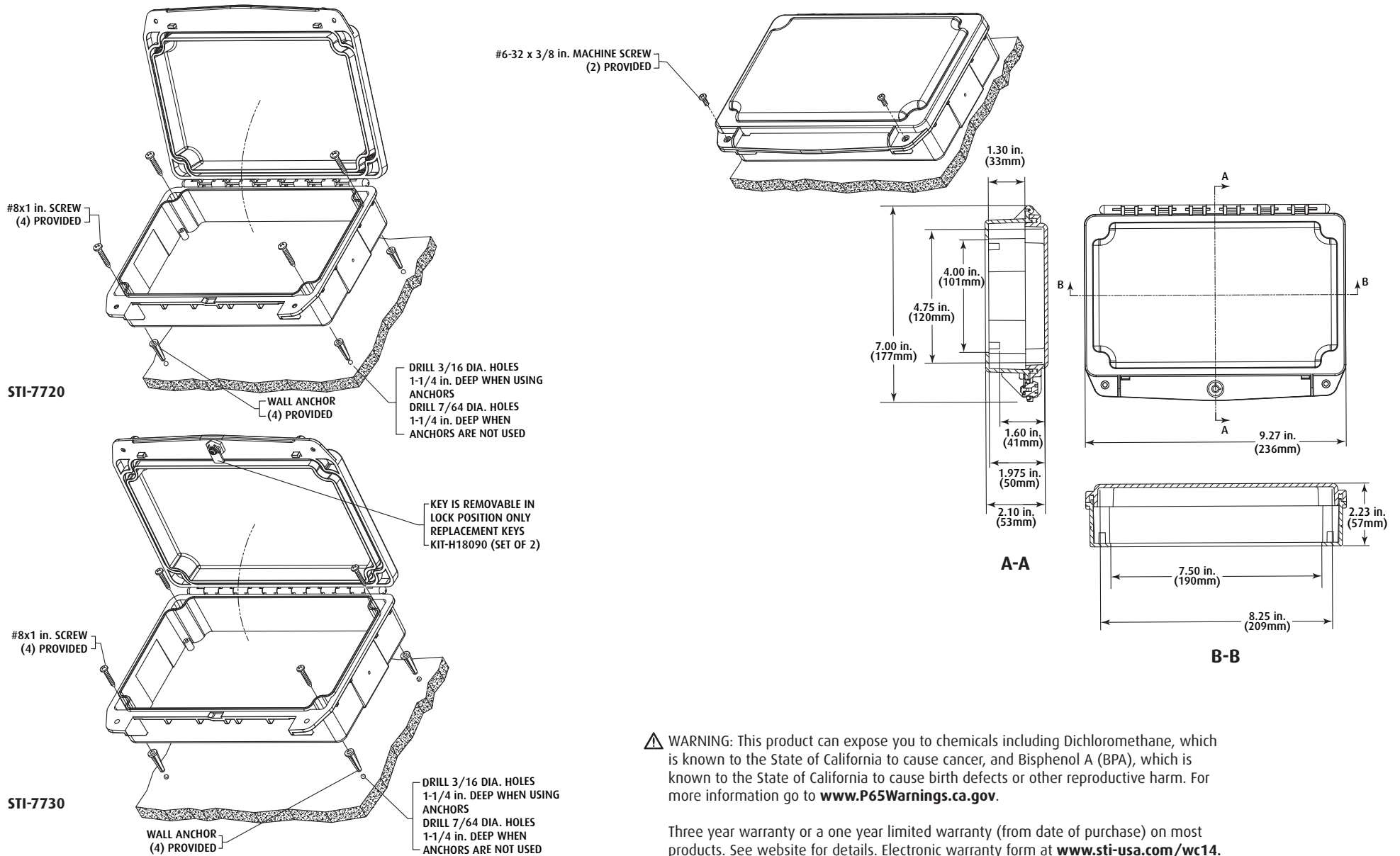
STI-7700\_10IS MARCH2016



**Safety Technology  
International**

2306 Airport Road • Waterford, Michigan 48327-1209  
Phone: 248-673-9898 • Fax: 248-673-1246  
Toll Free: 800-888-4784 • E-mail: info@sti-usa.com  
Web: www.sti-usa.com

Taylor House • 34 Sherwood Road • Bromsgrove  
Worcestershire • B60 3DR • England  
Tel: +44 (0)1527 520 999 • Fax: +44 (0)1527 501 999  
E-mail: info@sti-emea.com • Web: www.sti-emea.com



**⚠ WARNING:** This product can expose you to chemicals including Dichloromethane, which is known to the State of California to cause cancer, and Bisphenol A (BPA), which is known to the State of California to cause birth defects or other reproductive harm. For more information go to [www.P65Warnings.ca.gov](http://www.P65Warnings.ca.gov).

Three year warranty or a one year limited warranty (from date of purchase) on most products. See website for details. Electronic warranty form at [www.sti-usa.com/wc14](http://www.sti-usa.com/wc14).

## INSTALLATION OF STI-7720 & STI-7730 POLYCARBONATE COVER WITH ENCLOSED BACK BOX

All specifications and information shown were current as of publication and are subject to change without notice.

STI-7720\_30IS MARCH2016