

STI THERMOSTAT PROTECTOR



STI-9110



STI-9116

PRODUCT OVERVIEW

Molded of clear polycarbonate material, these protective covers are recommended for areas where abuse to a thermostat exists. This may include vandalism, accidental damage or costly, annoying tampering by employees and guests. Especially useful where thermostats are located in public areas, the covers are easy to install. Holes in the frame allow air to circulate freely for proper operation of protected thermostats or energy sensors. An interior wall on the frame prevents objects from entering and tampering with the protected thermostat.

THREE YEAR GUARANTEE ON COVER

As all STI polycarbonate covers, these tough units are backed by a three year guarantee against breakage in normal use. The Thermostat Protectors are shipped complete with all mounting hardware.

KEY FEATURES

General Information

- Offers excellent protection against tampering, abuse and accidental damage without affecting operation of the thermostat.
- Includes a lock and key assembly (excludes STI-9116).
- Three year guarantee against breakage of polycarbonate in normal use.

Design

- Holes in the frame allow air to circulate freely.
- Includes a lock and key assembly (excludes STI-9116).

Construction

- Inner wall construction prevents tampering with dials and levers (excludes STI-9116).

Installation

- Easy and quick installation.
- Shipped complete with anchors and screws.
- Typical working properties of polycarbonate are -40° to 250°F (-40° to 121°C).

Options

- Models available for flush and surface mounted applications.
- Spacers available to accommodate exposed conduit.

STI Thermostat Protector

Dimensions and Technical Information

MODELS AVAILABLE

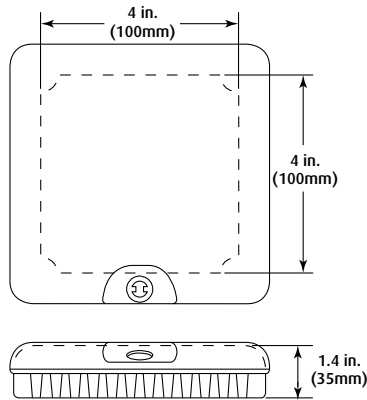
- STI-9102** Thermostat Protector, Small with 1/4 turn lock - clear
- STI-9105** Thermostat Protector, Small with key lock - clear
- STI-9110** Thermostat Protector, Large with key lock - clear
- STI-9115** Thermostat Protector, Dome shaped, tamper screws and bit - clear
- STI-9116** Thermostat Protector, Dome shaped, standard mounting hardware - clear

Accessories:

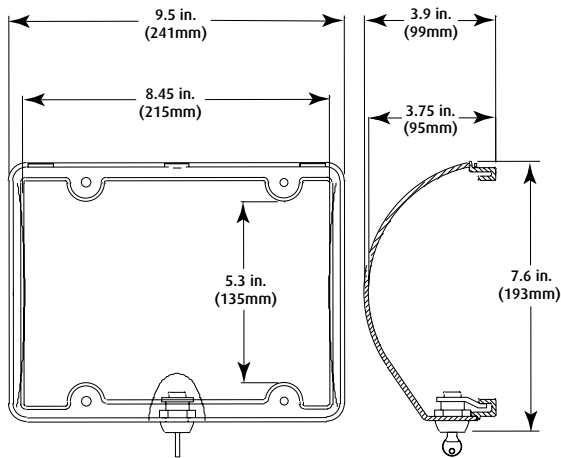
- KIT-900** Clear, 2" Spacer for STI-9110
- KIT-901** Clear, 2" Spacer for STI-9105
- KIT-905** Clear, 1 1/4" Spacer for STI-9105
- KIT-H18053** Two replacement keys for STI-9105, STI-9110
- KIT-H19016** Two replacement keys for STI-9102

WARRANTY

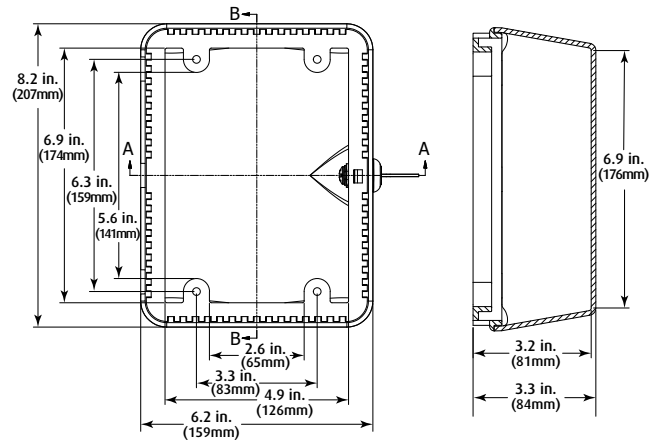
Three year guarantee against breakage of polycarbonate in normal use.



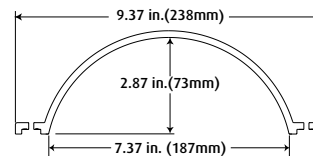
STI-9102



STI-9110



STI-9105



**STI-9115
STI-9116**



**Safety Technology
International**

2306 Airport Road
Waterford, Michigan
48327, USA

Tel: 248-673-9898
Fax: 248-673-1246
info@sti-usa.com
www.sti-usa.com

Taylor House
34 Sherwood Road
Bromsgrove, Worcestershire
B60 3DR, England

Tel: +44 (0)1527 520 999
Fax: +44 (0)1527 501 999
info@sti-emea.com
www.sti-emea.com