

# STI BEACON AND SOUNDER CAGES



STI-9615



STI-9664

## PRODUCT OVERVIEW

Here is an excellent way to protect your beacons and sounders against both vandalism and accidental damage. The newest members of the STI Wire Guard Team, these Stoppers were created in response to multiple requests from STI customers. They are easy to install with all screws and anchors provided.

## BACKED BY A THREE YEAR GUARANTEE

Constructed of tough steel wire that is coated with corrosion resistant polyester. It is not surprising STI backs them with a three year guarantee against breakage in normal use. These Stoppers are highly recommended for areas where abuse is severe or it is imperative sounders and beacons continue to operate.

## KEY FEATURES

### General Information

- Offers protection against vandalism and accidental damage for beacons and sounders.
- For use in controlled environment (not intended for outdoor use).
- Part of a complete line of wire guard units.
- Three year guarantee against breakage in normal use.

### Construction

- Constructed of tough steel wire.
- Coated with corrosion resistant polyester.

### Installation

- Installation is fast and simple with screws and anchors provided.

### Options

- Many sizes available.

# STI Beacon and Sounder Cages

Dimensions and Technical Information

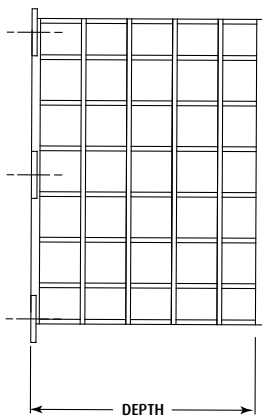
## MODELS AVAILABLE

- STI-9614**     Sounder Cage - large
- STI-9615**     Sounder Cage - small
- STI-9617**     Sounder Cage - medium
- STI-9664**     Beacon Cage - small
- STI-9665**     Beacon Cage - large

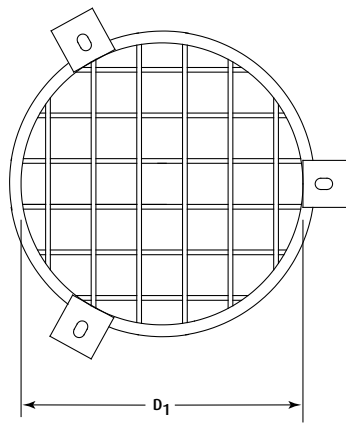
## WARRANTY

Three year guarantee against breakage in normal use.

Model	Depth	D <sub>1</sub>	D <sub>2</sub>
STI-9614	6 in. (152mm)	7.8 in. (198mm)	N/A
STI-9615	3.5 in. (88mm)	3.75 in. (95mm)	N/A
STI-9617	5.0 in. (127mm)	5.9 in. (149mm)	N/A
STI-9664	6.8 in. (173mm)	5.1 in. (130mm)	3.0 (76mm)
STI-9665	8.5 in. (214mm)	6.6 in. (167mm)	5.3 (134mm)

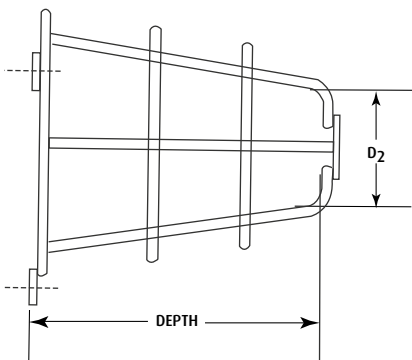


**FRONT VIEW**

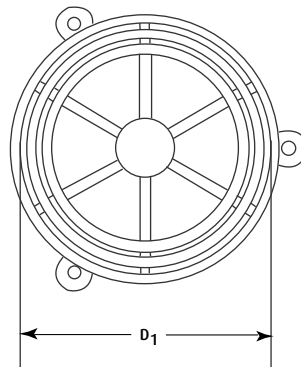


**BOTTOM VIEW**

**STI-9614**  
**STI-9615**  
**STI-9617**



**SIDE VIEW**



**TOP VIEW**

**STI-9664**  
**STI-9665**



**Safety Technology  
International**

2306 Airport Road  
Waterford, Michigan  
48327, USA

Tel: 248-673-9898  
Fax: 248-673-1246  
info@sti-usa.com  
www.sti-usa.com

Taylor House  
34 Sherwood Road  
Bromsgrove, Worcestershire  
B60 3DR, England

Tel: +44 (0)1527 520 999  
Fax: +44 (0)1527 501 999  
info@sti-emea.com  
www.sti-emea.com