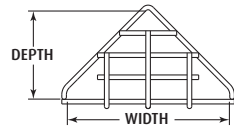
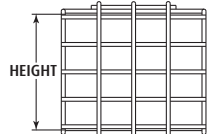


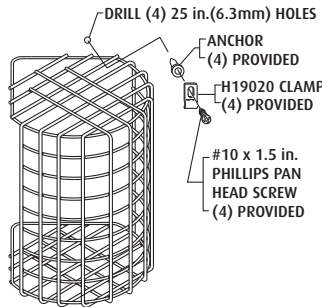
STI-9618



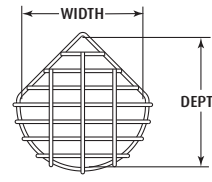
STI-9618 TOP VIEW



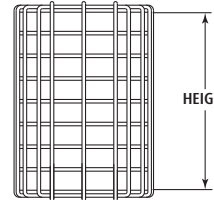
STI-9618 FRONT VIEW



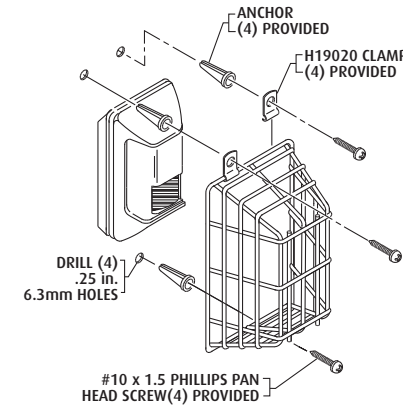
STI-9619



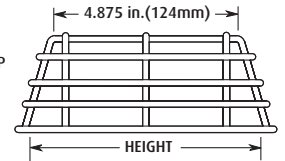
STI-9619 TOP VIEW



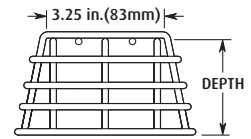
STI-9619 FRONT VIEW



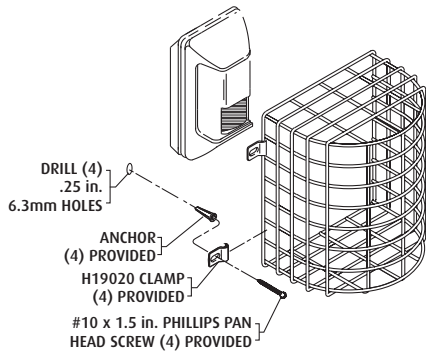
STI-9620



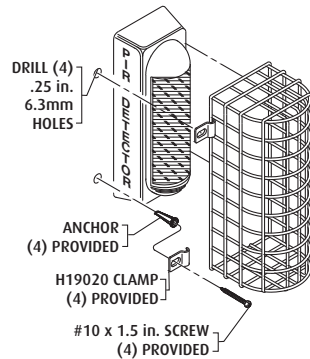
STI-9620 SIDE VIEW



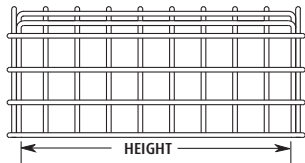
STI-9620 END VIEW



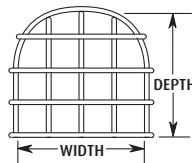
STI-9621



STI-9622



STI-9621/9622 SIDE VIEW



STI-9621/9622 END VIEW

INSTALLATION INSTRUCTIONS

1. Center the wire guard over existing motion detector.
2. Mark and drill (4) mounting holes (see pictorial for size).

Lag Bolts - If lag shields and lag bolts are used, make sure anchor is flush with surface. Position guard, insert lag bolt and tighten. Length of bolt should be selected to assure full thread engagement in anchor.

3. For installations that require tamperproof fasteners, order KIT-82 stainless steel screws and part no. KIT-19038 bit.

Model	Height	Width	Depth
STI-9618	4.62 in. (117 mm)	5.37 in. (136 mm)	3.0 in. (76 mm)
STI-9619	7.75 in. (196 mm)	5.37 in. (136 mm)	5.62 in. (142 mm)
STI-9620	6.25 in. (158 mm)	4.0 in. (102 mm)	2.25 in. (57 mm)
STI-9621	7.0 in. (178 mm)	5.75 in. (146 mm)	4.5 in. (114 mm)
STI-9622	8.75 in. (222 mm)	4.0 in. (102 mm)	3.75 in. (95 mm)

Three year warranty or a one year limited warranty (from date of purchase) on most products. See website for details. Electronic warranty form at www.sti-usa.com/wc14.

INSTALLATION OF STI MOTION DETECTOR DAMAGE STOPPER®

All specifications and information shown were current as of publication and are subject to change without notice.

ADDITIONAL WIRE GUARDS AVAILABLE

Visit www.sti-usa.com/w1 for complete details

SMOKE DETECTOR GUARDS

STI-9601	8.25 x 2.75"
STI-9601-SS	8.25 x 2.75"
STI-9602	8.25 x 4.25"
STI-9604	7 x 3.25"
STI-9604-SS	7 x 3.25"
STI-9605	7.125 x 4.5"
STI-9605-SS	7.125 x 4.5"
STI-9609	8.25 x 4.6"
STI-9609-SS	8.25 x 4.6"

STI-9610	8.25 x 6"
STI-9712	6.87 x 4.53"
STI-9713	6.87 x 2.50"



BEAM SMOKE DETECTORS

STI-9623	7.75 x 6 x 6"
STI-9624	8.875 x 5.5 x 4.75"
STI-9625	7.875 x 10.25 x 12.625"
STI-9706	10.82 x 9.32 x 4"
STI-9707	11 x 9.62 x 5.5"
STI-9840	6.61 x 5.78"
STI-9841	11.52 x 10 x 3.58"
STI-9845	6.7 x 9.2 x 4.07"



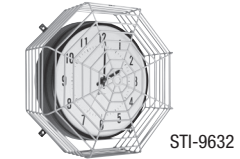
PIR GUARDS

STI-9618	4.62 x 5.37 x 3"
STI-9619	7.75 x 5.37 x 5.62"
STI-9620	6.25 x 4 x 2.25"
STI-9621	7 x 5.75 x 4.50"
STI-9622	8.75 x 4 x 3.75"



CLOCK/BELL WIRE CAGES

STI-9631	10.5" Diameter
STI-9631-SS	10.5" Diameter
STI-9631-R	10.5" Diameter
STI-9632	16.5" Diameter
STI-9632-SS	16.5" Diameter
STI-9633	20" Diameter



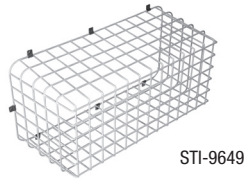
EXIT SIGN WIRE CAGES

STI-9640	10.5 x 13.75 x 2.75"
STI-9740	15.5 x 20.5 x 6"
STI-9741	14.80 x 16.09 x 5.35"
STI-9742	15.59 x 16.09 x 3.30"



EMERGENCY LIGHT CAGES

STI-9641	19.7 x 14.6 x 4"
STI-9644	8.7 x 17.7 x 5"
STI-9645	13.8 x 21.7 x 5.9"
STI-9649	10.75 x 24.75 x 11.25"
STI-9703	5 x 13.5 x 4"



BEACON & SOUNDER CAGES

STI-9614	7.9 x 6"
STI-9615	3.7 x 3.5"
STI-9617	5.9 x 4.9"
STI-9664	3.86 x 6.18"
STI-9665	7 x 8.43"



MISCELLANEOUS WIRE CAGES

STI-9705	7.4 x 6.15 x 3.39"	STI-9730	12 x 12 x 12"
STI-9708	7.49 x 6.74 x 6.09"	STI-9732	18 x 15 x 13"
STI-9711	8.26 x 8.26 x 3.54"	STI-9880	10.45 x 62.75 x 6.2"
STI-9714	8.55 x 8.55 x 6.23"	STI-9881	10.45 x 98.25 x 6.2"
STI-9717	6.1 x 9.3 x 2.4"	STI-101075	10 x 10 x (63 to 75)"
STI-9720	6.1 x 9.3 x 4.9"	STI-241416	33.25 x 23.29 x 16"
STI-9729	7 x 7 x 7"	STI-282121	39.06 x 32.01 x 21.29"

