

STI CLOCK/BELL DAMAGE STOPPER®



STI-9636

PRODUCT OVERVIEW

These super tough wire guards are designed to protect clocks, bells and similar instruments. Three sizes are available to cover a wide range of units. Each is constructed of 9-gauge steel wire with corrosion resistant polyester coating. Their octagon, spiderweb like shape also helps them take tough knocks in stride.

BACKED BY A THREE YEAR GUARANTEE

As all STI protective wire guards, these Stoppers are backed by a three year guarantee against breakage in normal use. Also, because they are white in color, users report that their clock numbers are easier to see than with darker competitive guards. Installation is easy and tamper resistant hardware (screws and bits) are available.

KEY FEATURES

General Information

- Guards help protect against vandalism and accidental damage.
- For use in controlled environment (not intended for outdoor use).
- Three year guarantee against breakage in normal use.

Construction

- Weblike octagon shape of 9-gauge coated steel wire makes them extremely difficult to break.
- Stainless steel models constructed of 304 corrosion resistant stainless steel (considered surgical or medical grade).

Installation

- Fast and easy installation.
- Simple removal for servicing or routine maintenance.

Options

- Tamper resistant hardware (screws and bits) are available.
- Three models to fit a wide range of units (both clocks and bells).

STI Clock/Bell Damage Stopper®

Dimensions and Technical Information

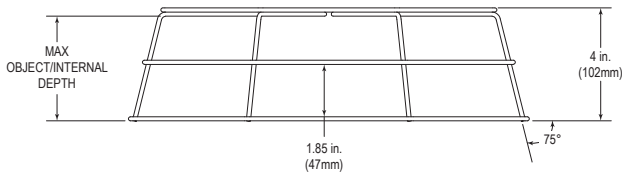
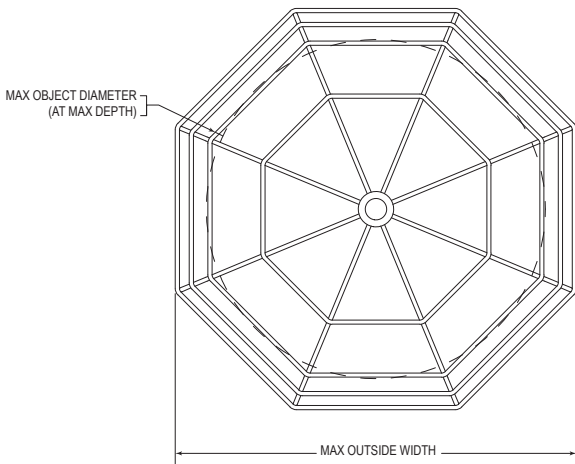
MODELS AVAILABLE

- STI-9631-R** Clock/Bell Damage Stopper - Red
- STI-9635*** Clock/Bell Damage Stopper - White
- STI-9636*** Clock/Bell Damage Stopper - White
- STI-9637*** Clock/Bell Damage Stopper - White
- KIT-82** Tamper resistant stainless steel screws, #8 x 1
1/2" snake eye (quantity 4)
- KIT-19038** 5/16 in. hex drive tamper bit for tamper
resistant screws

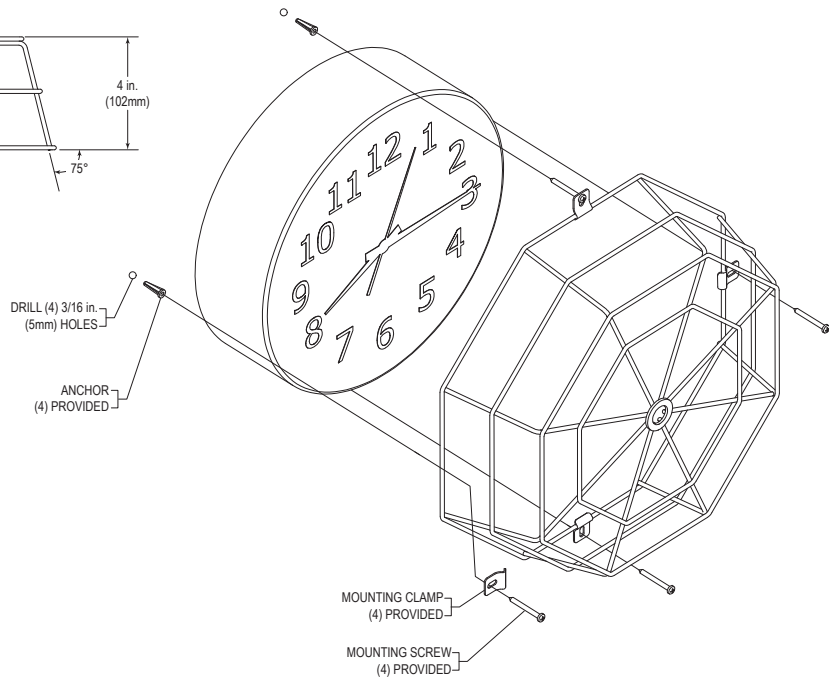
*Available in stainless steel as a special order.

WARRANTY

Three year guarantee against breakage in normal use.



Model	Max Object/Internal Diameter (at max depth)	Max Object/Internal Depth	Max Outside Width
STI-9635	12 in. (305mm)	3.65 in. (93mm)	14.25 in. (362mm)
STI-9636	18 in. (457mm)	3.65 in. (93mm)	20.75 in. (527mm)
STI-9637	24 in. (610mm)	3.65 in. (93mm)	26.75 in. (679mm)



Safety Technology International

2306 Airport Road info@sti-usa.com
Waterford, MI www.sti-usa.com
48327, USA Tel:248-673-9898

Taylor House
34 Sherwood Rd., Bromsgrove,
Worcs., B60 3DR, England

info@sti-emea.com
www.sti-emea.com
Tel: +44 (0) 1527 520 999

Unit 7A Lockheed Avenue
Airport Business Park
Waterford X91 HWF2 Ireland