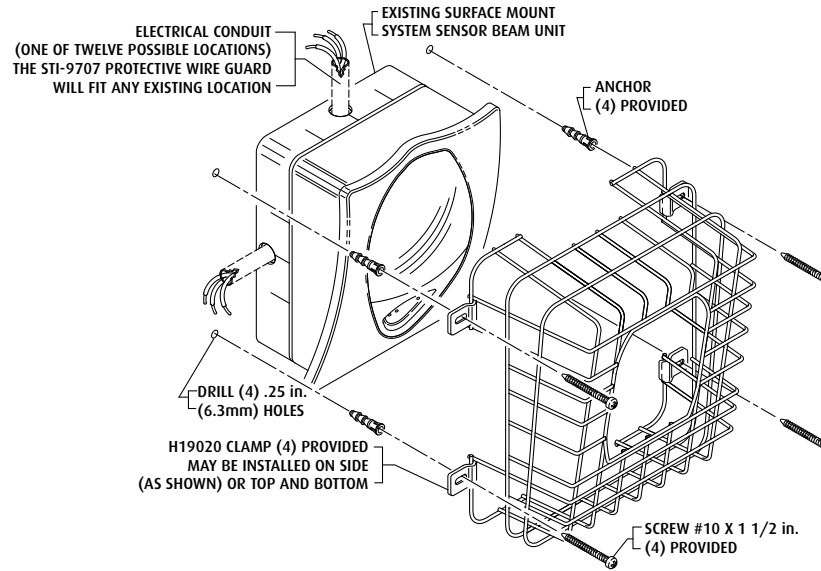


STI-9706



STI-9707

**IMPORTANT**

Do not attempt to install reflective beam guard until both the transmitter and reflective mirror have been perfectly aligned and tested according to the System Sensor installation directions furnished with detector unit.

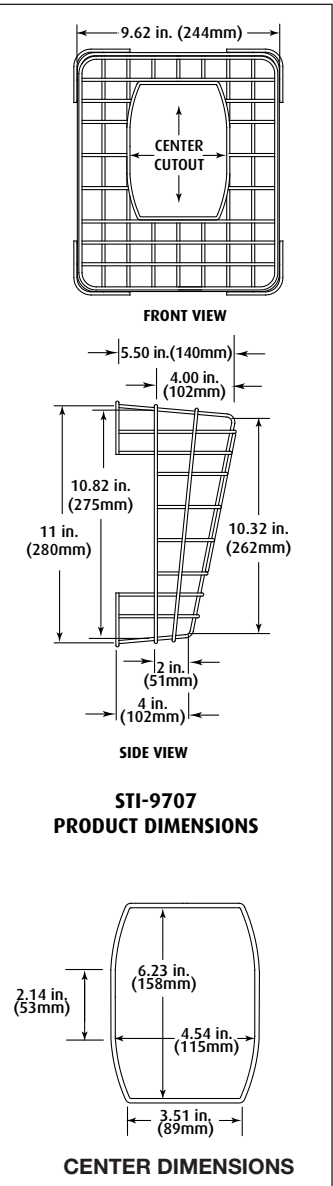
**INSTALLATION INSTRUCTIONS**

1. Center the wire guard over existing reflective beam housing making sure center cutout in wire guard is positioned over beam lens window.
2. Mark and drill (4) holes as shown in pictorial. The Beam Smoke Guard may be spray painted once prior to installation.

**SERVICE**

1. Periodic cleaning of Beam Smoke Guard is required to prevent buildup of dust and other matter.
2. To service the System Sensor unit, back off the (4) screws, rotate clamps and carefully remove wire guard. When reinstalling wire guard, care must be taken not to hit or bump the reflective beam housing or misalignment may occur.

Three year warranty or a one year limited warranty (from date of purchase) on most products. See website for details. Electronic warranty form at [www.sti-usa.com/wc14](http://www.sti-usa.com/wc14).



**INSTALLATION OF STI-9706/STI-9707 BEAM SMOKE GUARD**

All specifications and information shown were current as of publication and are subject to change without notice.

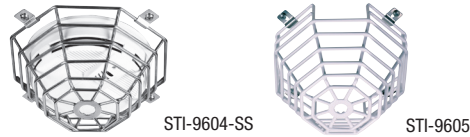
# ADDITIONAL WIRE GUARDS AVAILABLE

Visit [www.sti-usa.com/w1](http://www.sti-usa.com/w1) for complete details

## SMOKE DETECTOR GUARDS

STI-9601	8.25 x 2.75"
STI-9601-SS	8.25 x 2.75"
STI-9602	8.25 x 4.25"
STI-9604	7 x 3.25"
STI-9604-SS	7 x 3.25"
STI-9605	7.125 x 4.5"
STI-9605-SS	7.125 x 4.5"
STI-9609	8.25 x 4.6"
STI-9609-SS	8.25 x 4.6"

STI-9610	8.25 x 6"
STI-9712	6.87 x 4.53"
STI-9713	6.87 x 2.50"



STI-9604-SS STI-9605

## BEAM SMOKE DETECTORS

STI-9623	7.75 x 6 x 6"
STI-9624	8.875 x 5.5 x 4.75"
STI-9625	7.875 x 10.25 x 12.625"
STI-9706	10.82 x 9.32 x 4"
STI-9707	11 x 9.62 x 5.5"
STI-9840	6.61 x 5.78"
STI-9841	11.52 x 10 x 3.58"
STI-9845	6.7 x 9.2 x 4.07"



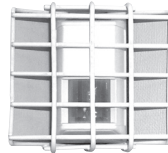
STI-9624



STI-9625

## PIR GUARDS

STI-9618	4.62 x 5.37 x 3"
STI-9619	7.75 x 5.37 x 5.62"
STI-9620	6.25 x 4 x 2.25"
STI-9621	7 x 5.75 x 4.50"
STI-9622	8.75 x 4 x 3.75"



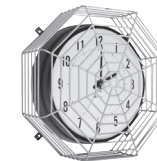
STI-9618



STI-9621

## CLOCK/BELL WIRE CAGES

STI-9631	10.5" Diameter
STI-9631-SS	10.5" Diameter
STI-9631-R	10.5" Diameter
STI-9632	16.5" Diameter
STI-9632-SS	16.5" Diameter
STI-9633	20" Diameter



STI-9632

## EXIT SIGN WIRE CAGES

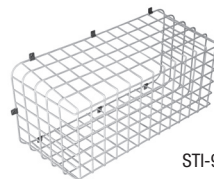
STI-9640	10.5 x 13.75 x 2.75"
STI-9740	15.5 x 20.5 x 6"
STI-9741	14.80 x 16.09 x 5.35"
STI-9742	15.59 x 16.09 x 3.30"



STI-9640

## EMERGENCY LIGHT CAGES

STI-9641	19.7 x 14.6 x 4"
STI-9644	8.7 x 17.7 x 5"
STI-9645	13.8 x 21.7 x 5.9"
STI-9649	10.75 x 24.75 x 11.25"
STI-9703	5 x 13.5 x 4"



STI-9649

## BEACON & SOUNDER CAGES

STI-9614	7.9 x 6"
STI-9615	3.7 x 3.5"
STI-9617	5.9 x 4.9"
STI-9664	3.86 x 6.18"
STI-9665	7 x 8.43"



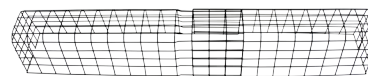
STI-9615



STI-9664

## MISCELLANEOUS WIRE CAGES

STI-9705	7.4 x 6.15 x 3.39"	STI-9730	12 x 12 x 12"
STI-9708	7.49 x 6.74 x 6.09"	STI-9732	18 x 15 x 13"
STI-9711	8.26 x 8.26 x 3.54"	STI-9880	10.45 x 62.75 x 6.2"
STI-9714	8.55 x 8.55 x 6.23"	STI-9881	10.45 x 98.25 x 6.2"
STI-9717	6.1 x 9.3 x 2.4"	STI-101075	10 x 10 x (63 to 75)"
STI-9720	6.1 x 9.3 x 4.9"	STI-241416	33.25 x 23.29 x 16"
STI-9729	7 x 7 x 7"	STI-282121	39.06 x 32.01 x 21.29"



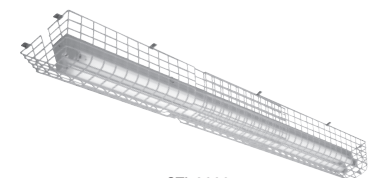
STI-101075



STI-9705



STI-9729



STI-9880