



**FOR USE WITH**

Edwards GC Series  
Kidde EGC Series

**IMPORTANT**

Do not install the wire guard until the notification device has been tested and is in proper working order according to the manufacturer's installation instructions.

**INSTALLATION**

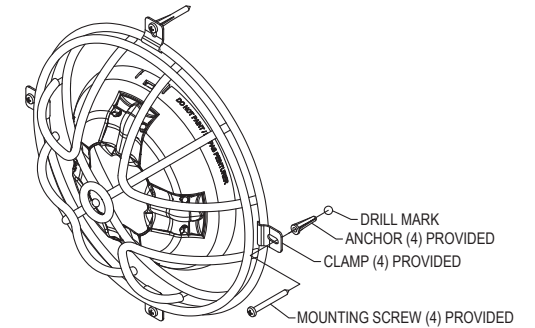
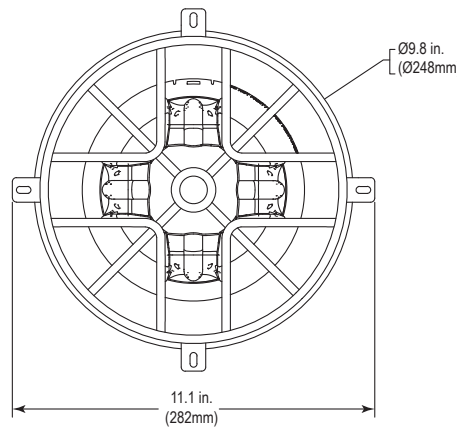
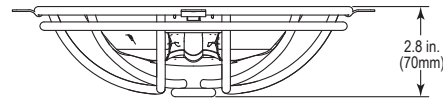
1. Orient as shown and center the wire guard over device.
2. Place clamps in recommended position as shown.
3. Mark clamp hole locations on the ceiling and drill (4) 1/8 in. [3mm] diameter holes 1 1/2 in. [40mm] deep. If using an anchor, drill (4) 15/64 in. [6mm] diameter holes 1-1/2 in. [40mm] deep and insert anchor into surface.
4. Insert screws through clamps and screw into anchors; but do not tighten.
5. Center guard over device, slide clamps onto top wire of guard and tighten screws.

**SERVICE**

1. Wire guard requires periodic cleaning to prevent accumulation of dust and other matter.
2. To service notification device according to manufacturer recommendations, loosen but do not remove the (4) screws, rotate (3) clamps off wire guard and carefully rotate wire guard.

**LIGHT AND SOUND DE-RATING FACTOR**

GC, EGC, GCS, EGCS light loss 20%, sound loss <1%



Three year warranty or a one year limited warranty (from date of purchase) on most products. See website for details. Electronic warranty form at [www.sti-usa.com/wc14](http://www.sti-usa.com/wc14).



USA

**STI-9750 CEILING MOUNTED SMOKE DETECTOR GUARD**

All specifications and information shown were current as of publication and are subject to change without notice.

9750 JAN2022



# ADDITIONAL WIRE GUARDS AVAILABLE

Visit [www.sti-usa.com/w1](http://www.sti-usa.com/w1) for complete details

All dimensions are approximate

## SMOKE DETECTOR GUARDS

STI-9601	8.25 x 2.75"
STI-9601-SS	8.25 x 2.75"
STI-9602	8.25 x 4.25"
STI-9604	7 x 3.25"
STI-9604-SS	7 x 3.25"
STI-9605	7.125 x 4.5"
STI-9605-SS	7.125 x 4.5"
STI-9609	8.25 x 4.6"
STI-9609-SS	8.25 x 4.6"

STI-9610	8.25 x 6"
STI-9712	6.87 x 4.53"
STI-9713	6.87 x 2.50"



## BEAM SMOKE DETECTORS

STI-9623	7.75 x 6 x 6"
STI-9624	8.875 x 5.5 x 4.75"
STI-9706	10.82 x 9.32 x 4"
STI-9707	11 x 9.62 x 5.5"
STI-9840	6.61 x 5.78"
STI-9841	11.52 x 10 x 3.58"
STI-9845	6.7 x 9.2 x 4.07"
STI-9846	7.6 x 11.6 x 5.6"



## PIR GUARDS

STI-9618	4.62 x 5.37 x 3"
STI-9619	7.75 x 5.37 x 5.62"
STI-9620	6.25 x 4 x 2.25"
STI-9621	7 x 5.75 x 4.50"
STI-9622	8.75 x 4 x 3.75"



## CLOCK/BELL WIRE CAGES

STI-9631-R	10.5" Diameter - Red
STI-9635	14.25" Diameter
STI-9636	20.75" Diameter
STI-9637	26.75" Diameter



## EXIT SIGN WIRE CAGES

STI-9640	10.5 x 13.75 x 2.75"
STI-9740	15.5 x 20.5 x 6"
STI-9742	15.59 x 16.09 x 3.30"



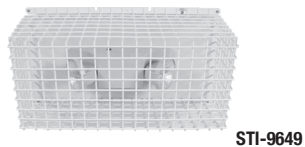
## BEACON & SOUNDER CAGES

STI-9614	7.9 x 6"
STI-9615	3.7 x 3.5"
STI-9617	5.9 x 4.9"
STI-9664	3.86 x 6.18"
STI-9665	7 x 8.43"
STI-9750	9.6 x 2.8"
STI-9754	8.4 x 9.2 x 3.5"
STI-9760	8.5 x 3.2"
STI-9761	8.5 x 5.7"
STI-9762	6.2 x 4.75 x 2.5"
STI-9763	6.2 x 4.75 x 4"
STI-9764	6.6 x 6 x 2.5"
STI-9765	6.6 x 6 x 4.4"
STI-9766	8.2 x 6.75 x 2.9"
STI-9767	8.2 x 6.75 x 5"



## EMERGENCY LIGHT CAGES

STI-9641	19.7 x 14.6 x 4"
STI-9644	8.7 x 17.7 x 5"
STI-9645	13.8 x 21.7 x 5.9"
STI-9649	10.75 x 24.75 x 11.25"
STI-9703	5 x 13.5 x 4"



## MISCELLANEOUS WIRE CAGES

STI-9705	7.4 x 6.15 x 3.39"	STI-9731	12 x 12 x 8"
STI-9708	7.49 x 6.74 x 6.09"	STI-9732	18 x 15 x 13"
STI-9711	8.26 x 8.26 x 3.54"	STI-9880	10.45 x 62.75 x 6.2"
STI-9714	8.55 x 8.55 x 6.23"	STI-9881	10.45 x 98.25 x 6.2"
STI-9717	6.1 x 9.3 x 2.4"	STI-101075	10 x 10 x (63 to 75)"
STI-9720	6.1 x 9.3 x 4.9"	STI-241416	33.25 x 23.29 x 16"
STI-9729	7 x 7 x 7"	STI-282121	39.06 x 32.01 x 21.29"
STI-9730	12 x 12 x 12"		

