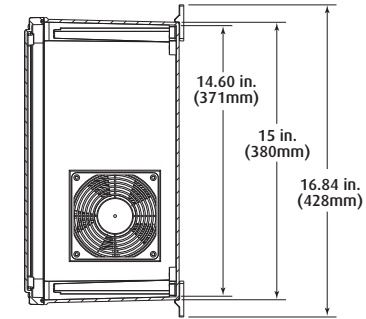
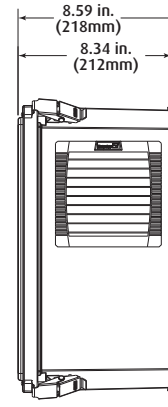
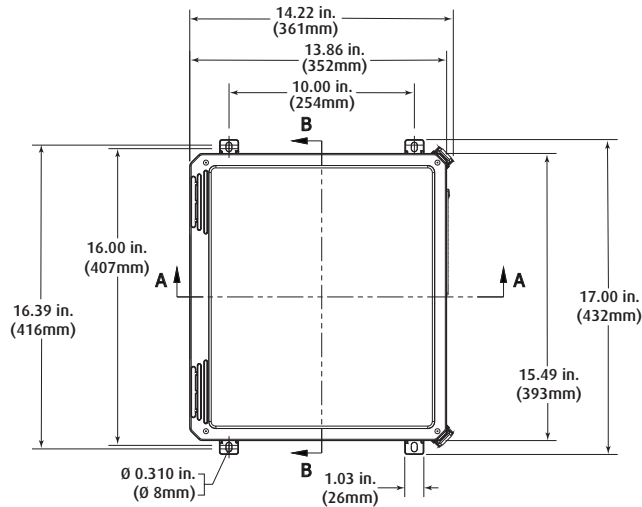




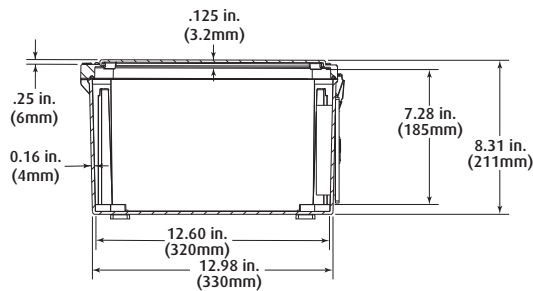
**Safety Technology  
International**

2306 Airport Road  
Waterford • Michigan • 48327-1209  
Phone: 248-673-9898 • Fax: 248-673-1246  
E-mail: info@sti-usa.com • Web: www.sti-usa.com

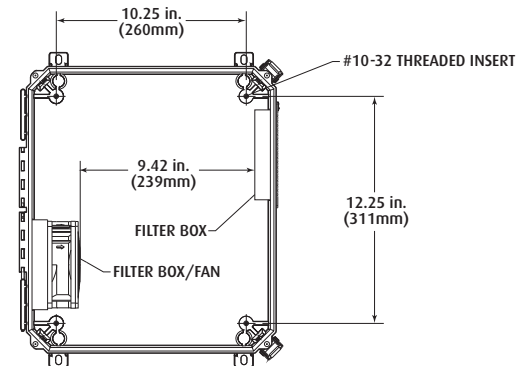
Taylor House • 34 Sherwood Road • Bromsgrove  
Worcestershire • B60 3DR • England  
Tel: +44 (0)1527 520 999 • Fax: +44 (0)1527 501 999  
E-mail: info@sti-emea.com • Web: www.sti-emea.com



SECTION B-B



SECTION A-A



One year limited warranty (from date of purchase).  
See website for details.  
Electronic warranty form at [www.sti-usa.com/wc14](http://www.sti-usa.com/wc14).

## INSTALLATION OF EF141208-x3 ENVIROARMOUR® FIBERGLASS ENCLOSURE WITH NEMA 3R FILTER FAN WITH FILTER VENT

All specifications and information shown were current as of publication and are subject to change without notice.

EF141208x3IS SEPT2021

