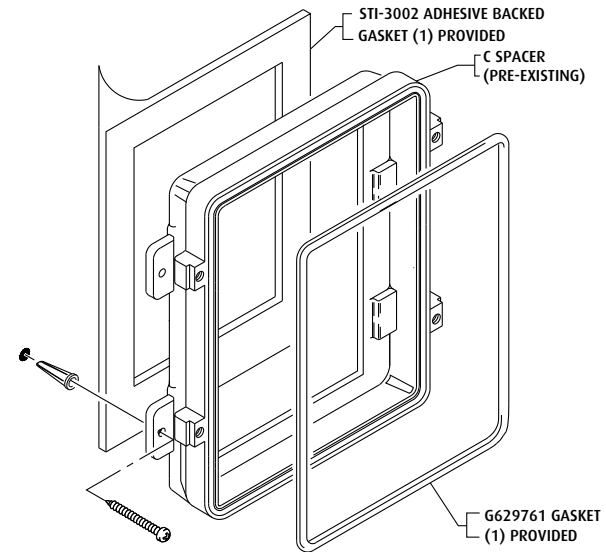
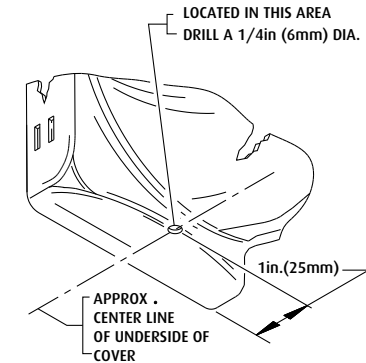
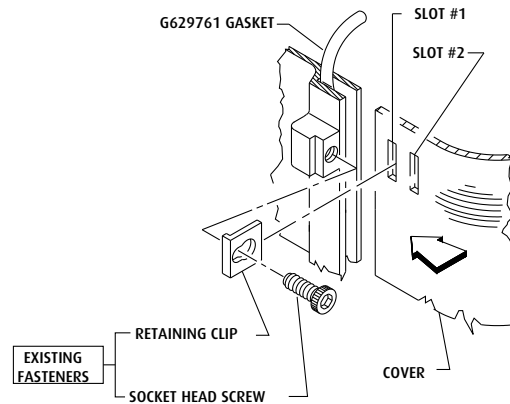


STI-1221B/STI-1210B



STI-1221C/STI-1210C

WHEN USING G629761 GASKET
EXISTING RETAINING CLIP
MUST BE INSTALLED IN
SLOT #1 AS SHOWN.



⚠ WARNING: This product can expose you to chemicals including Dichloromethane, which is known to the State of California to cause cancer, and Bisphenol A (BPA), which is known to the State of California to cause birth defects or other reproductive harm. For more information go to www.P65Warnings.ca.gov.

Three year warranty or a one year limited warranty (from date of purchase) on most products. See website for details. Electronic warranty form at www.sti-usa.com/wc14.

⚠ IMPORTANT

In applications where wash downs or rainfall occur, it is recommended a drain or weep hole be provided at location shown.

INSTALLATION OF KIT-122 ENVIRO-KIT

All specifications and information shown were current as of publication and are subject to change without notice.