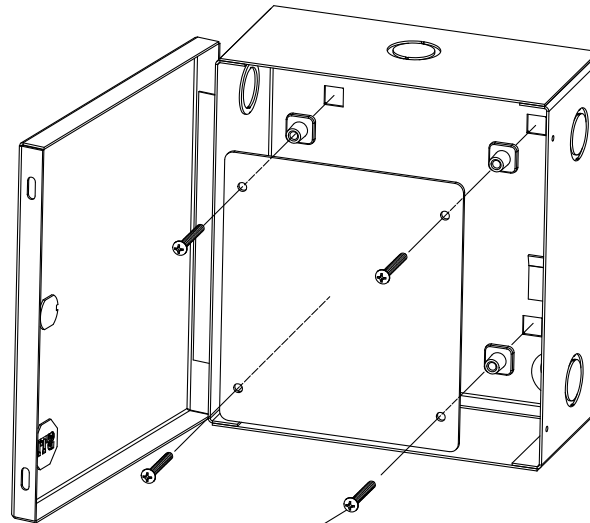


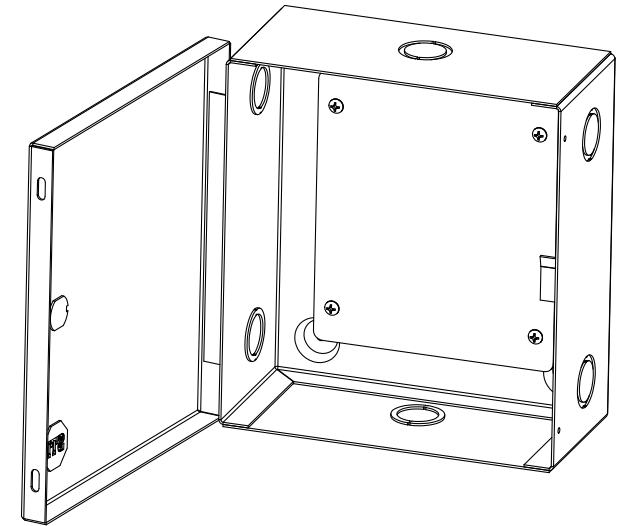
KIT-H18019 STANDOFF

VIEW A



#8 x 7/8\"/>

VIEW B



VIEW C

INSTALLATION INSTRUCTIONS

1. Prior to installing the STI Metal Enclosure to the wall, knock out the squares in the box with a screwdriver (see View A).
2. Snap the anchors into the now exposed squares.
NOTE: Some backplate models require 6 standoffs and screws.
3. Place the backplate into position.
4. Install screws, tighten until snug (do not over tighten).

Three year warranty or a one year limited warranty (from date of purchase) on most products. See website for details.
Electronic warranty form at www.sti-usa.com/wc14.

INSTALLATION OF STI-MBP BACKPLATE FOR METAL ENCLOSURE

All specifications and information shown were current as of publication and are subject to change without notice.

STIMBP JULY2013

