

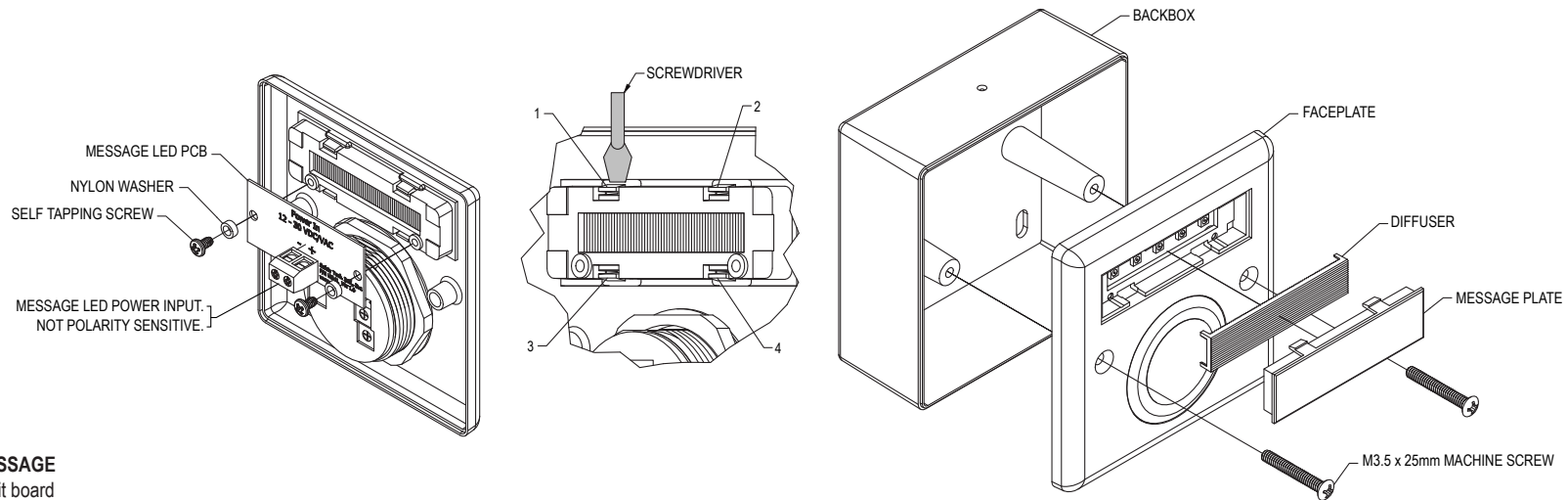


Safety Technology International

2306 Airport Road
Waterford • Michigan • 48327-1209
Phone: 248-673-9898
E-mail: info@sti-usa.com • Web: www.sti-usa.com

Taylor House • 34 Sherwood Road • Bromsgrove
Worcestershire • B60 3DR • England
Tel: +44 (0)1527 520 999
E-mail: info@sti-emea.com • Web: www.sti-emea.com

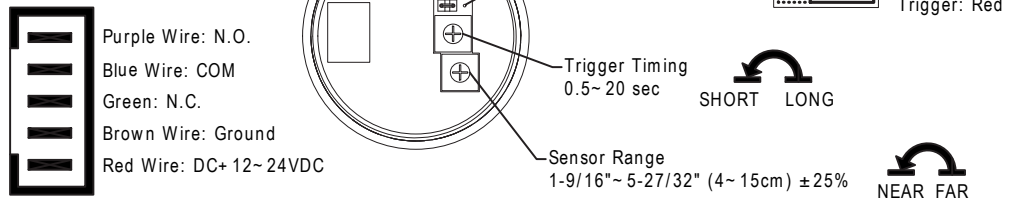
Unit 7A • Lockheed Avenue
Airport Business Park
Waterford • X91 HWF2 • Ireland
E-mail: info@sti-emea.com



TO CHANGE TOP MESSAGE

1. Remove LED circuit board
2. Remove current message by pushing in and down on tabs 1 and 2 with a small screwdriver. If necessary, push in and down on tabs 3 and 4. Once message is loose, remove from the plate.
3. Select new message, place diffuser into pocket and snap into place.

Wiring Diagram



INSTALLATION

1. Run power and device wires into electrical box.
2. Use wiring diagram to complete the device application connections.
3. Screw the plate to the back box. Be careful not to pinch wires.
4. **Remove clear protective film from sensor before use.**
WARNING: Do not connect any device that will exceed 1.0A@24VDC.

CLEANING

- To ensure reliability and long life:
1. Never spray the sensor directly (use mildest cleaner available).
 2. Spray cleaner on a very soft, clean cloth and gently clean.
 3. Wipe off excess liquid and make sure wet spots are removed. (Spots may affect the sensor's performance.)

SPECIFICATIONS	
IR Switch Input Power	12-24VDC +/-10%, 45mA max.
Relay Output	Form C (SPDT) dry contact relay
Relay Contact Rating	0.5A @ 120VAC, 1A @ 24VDC
Relay Life	1,000,000 Mechanical Cycles
Relay Status LED Indicator (Standby/Active)	Red/Green (default)/selectable Green/Red
Relay Active Time Delay	Adjustable 0.5 ~ 20 seconds
IR Detection Range	Adjustable 4 ~ 15cm (1.5 ~ 6 in)
IR Sensor Life	100,000 hours
Operating Temperature	-14° F to 158° F (-10°C & 70°C)
Message LED	12-30 VDC/VAC, 27mA max.
Sensor	IP65
Sensor Construction	304 stainless steel/polycarbonate
Mounting Plate Construction	1.5mm thick, 304 stainless steel

One year guarantee on electro mechanical and electronic components.



USA

NT-CA3 UK SINGLE GANG SERIES

All specifications and information shown were current as of publication and are subject to change without notice.

NT-CA3 AUG2020



EMEA