

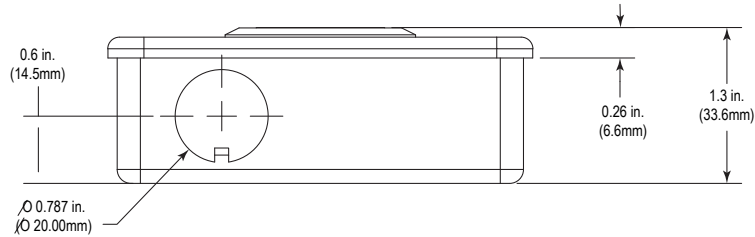
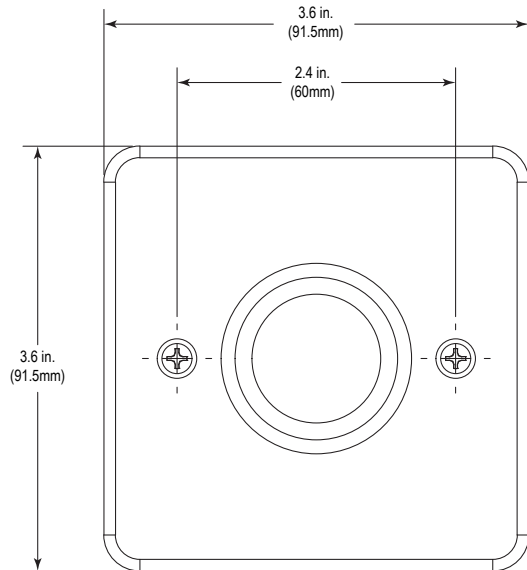


# Safety Technology International

2306 Airport Road  
Waterford • Michigan • 48327-1209  
Phone: 248-673-9898  
E-mail: info@sti-usa.com • Web: www.sti-usa.com

Taylor House • 34 Sherwood Road • Bromsgrove  
Worcestershire • B60 3DR • England  
Tel: +44 (0)1527 520 999  
E-mail: info@sti-emea.com • Web: www.sti-emea.com

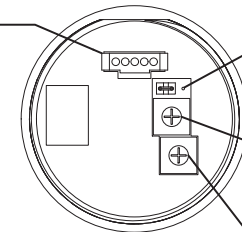
Unit 7A • Lockheed Avenue  
Airport Business Park  
Waterford • X91 HWF2 • Ireland  
E-mail: info@sti-emea.com



## 5 PIN WIRE HARNESS Wiring Diagram



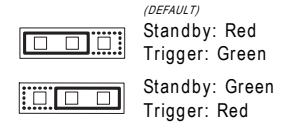
Purple Wire: N.O.  
Blue Wire: COM  
Green: N.C.  
Brown Wire: Ground  
Red Wire: DC+ 12~24VDC



LED Control Jumper  
(Jumper Placement)

Trigger Timing  
0.5~20 sec

Sensor Range  
1-9/16"~ 5-27/32" (4~15cm) ±25%



## SPECIFICATIONS

Input Power	12-24VDC +/-10%, 45mA max.
Relay Output	Form C (SPDT) dry contact relay
Relay Contact Rating	0.5A @ 120VAC, 1A @ 24VDC
Relay Life	1,000,000 Mechanical Cycles
Relay Status LED Indicator (Standby/Active)	Red/Green (default)/selectable Green/Red
Relay Active Time Delay	Adjustable 0.5 ~ 20 seconds
IR Detection Range	Adjustable 4 ~ 15cm (1.5 ~ 6 in)
IR Sensor Life	100,000 hours
Operating Temperature	-14° F to 158° F (-10°C & 70°C)
Sensor	IP65
Sensor Construction	304 stainless steel/polycarbonate
Mounting Plate Construction	1.5mm thick, 304 stainless steel

### INSTALLATION

1. Run power and device wires into electrical box.
2. Use wiring diagram to complete the device application connections.
3. Screw the plate to the back box. Be careful not to pinch wires.

#### 4. Remove clear protective film from sensor before use.

**WARNING:** Do not connect any device that will exceed 1.0A@24VDC.

### CLEANING

To ensure reliability and long life:

1. Never spray the sensor directly (use mildest cleaner available).
2. Spray cleaner on a very soft, clean cloth and gently clean.
3. Wipe off excess liquid and make sure wet spots are removed. (Spots may affect the sensor's performance.)

One year guarantee on electro  
mechanical and electronic components.



USA

## INSTALLATION OF NT-SS3 UK SINGLE GANG IR SWITCH SERIES

All specifications and information shown were current as of publication and are subject to change without notice.

NTSS3 AUG2020



EMEA