

NoTouch® CAST ALUMINUM BUTTON



PRODUCT OVERVIEW

This touch free button applies NoTouch® technology which helps reduce the spread of germs in any public buildings. To exit, a person must simply wave their hand in front of the device. The infrared will pick up the motion and unlatch the time adjustable door.

NoTouch Cast Aluminum Button offers many different combinations for the price of a standard one configuration button. Eliminating the need to stock dozens of push buttons, and wasting precious time and money tracking down just the right button for a customer. The button is ready to assemble out of box and is easily installed within minutes right on site.

The faceplate is constructed of die cast aluminum metal, allowing it to take tough knocks in stride. Button package includes: faceplate, illuminated push buttons and interchangeable snap-in illuminated LED message lenses.

HOW IT WORKS

The installer simply has to choose which interchangeable snap-in message plate works best for the customers need, and easily snap it into place. This allows the customized button to be mounted in a matter of minutes instead of waiting weeks for a specific button to be ordered and delivered.

KEY FEATURES

General Information

- Ideal for public buildings of almost any kind.
- Helps reduce the spread of germs.
- State indicator LED – Standby/Active Red/Green (default) or selectable green/red.
- Switch IP65.
- One year guarantee on electro mechanical and electronic components.

Construction

- Faceplate constructed of heavy duty die cast aluminum.
- Switch plate and backbox .062" (1.6mm) thick.
- Button constructed of polycarbonate.

Installation

- Faceplate is slightly oversized to cover old installation marks.
- Operating temperature 14 F to 158 F (-10 C to 70 C).
- Operating life
 - Mechanical relay 1,000,000 cycles
 - IR sensor 100,000 hours

Electronics

- NoTouch® active infrared design.
- Integrated adjustable timer.
- Operating voltage 12VDC – 24VDC, 45mA (max.).
- Detection range 1.5in-6in, 4cm-15cm (±25%).
- Form "C" dry contact, 0.5A @120VAC, 1A @ 24VDC.
- Adjustable relay latch time 0.5s-20s.

Options

- Three interchangeable, illuminated LED message lenses included
 - Blue EXIT, Green EXIT, White OPEN
- Available sizes
 - US single gang, backbox available
 - European single gang, backbox available
- Custom text available.

NoTouch® Cast Aluminum Button

Dimensions and Technical Information

MODELS AVAILABLE

- NT-CA100-EN** US single gang
- NT-CA300-EN** European single gang
- Change -EN to -ES for Spanish, -FR for French
- NT-CA100-BZA** US single gang w/blue custom lens
- NT-CA100-GZA** US single gang w/green custom lens
- NT-CA100-WZA** US single gang w/white custom lens

Accessories

- KIT-BB1CA** Back box for US single gang
- KIT-BB3CA** Back box for European single gang

APPROVALS & WARRANTY

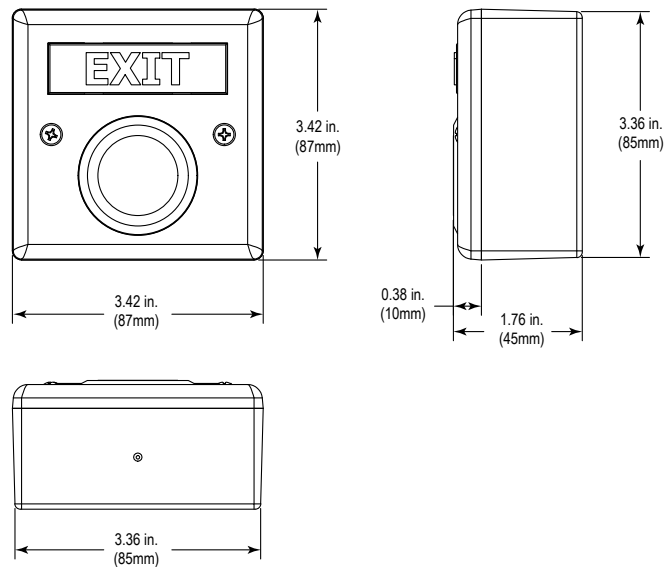
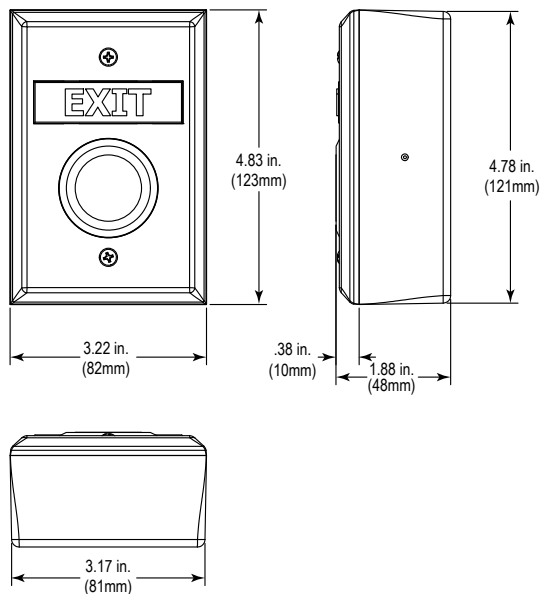
TESTING

It has been tested and approved or listed by:

- CE
- UK CA

WARRANTY

One year guarantee on electro mechanical and electronic components.



Safety Technology International

2306 Airport Road info@sti-usa.com
 Waterford, MI www.sti-usa.com
 48327, USA Tel: 248-673-9898

Taylor House
 34 Sherwood Rd., Bromsgrove,
 Worcs., B60 3DR, England

info@sti-emea.com
 www.sti-emea.com
 Tel: +44 (0) 1527 520 999

Unit 7A Lockheed Avenue
 Airport Business Park
 Waterford X91 HWF2 Ireland