



Safety Technology International, Inc.
 2306 Airport Road • Waterford, Michigan 48327-1209
 Phone: 248-673-9898 • Fax: 248-673-1246
 Toll Free: 800-888-4784 • E-mail: info@sti-usa.com
 Web: www.sti-usa.com

Safety Technology International (Europe) Ltd.
 Unit 49G Pipers Road • Park Farm Industrial Estate • Redditch
 Worcestershire • B98 0HU • England
 Tel: 44 (0) 1527 520 999 • Fax: 44 (0) 1527 501 999
 E-mail: info@sti-europe.com • Web: www.sti-europe.com

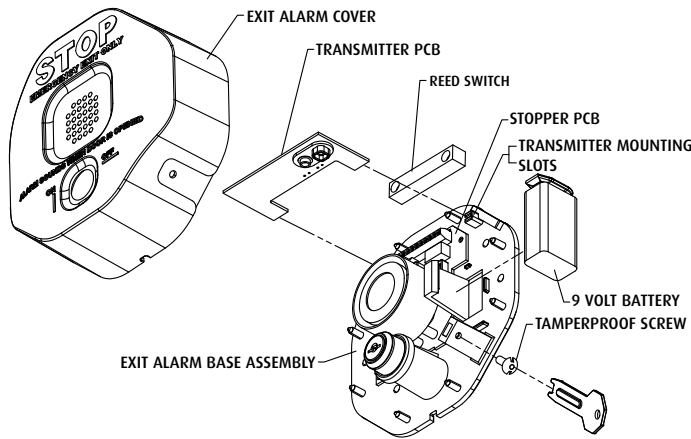
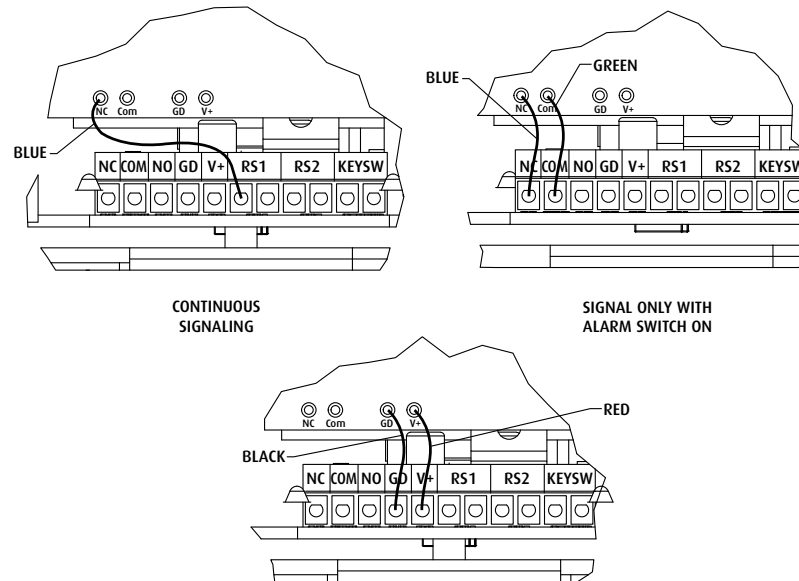


Figure 1



EXTERNAL POWER
(+12VDC)

Figure 2

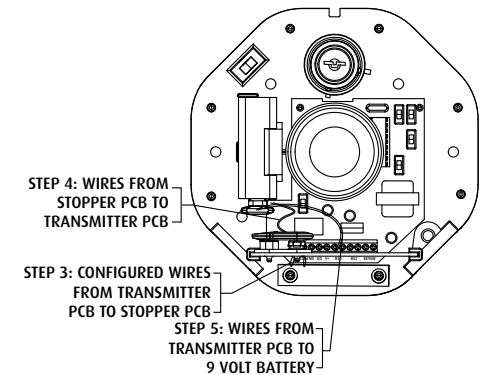


Figure 3

STANDARD STI-6400 INSTALLATION

1. (Fig. 1) Remove tamperproof screw and cover. Disconnect 9 Volt battery. Remove reed switch from mounting location letting it hang freely.
2. Insert STI wireless transmitter PCB into mounting slots. Place the board with the 9 Volt connector facing inward towards the sounder.
3. (Fig. 2) Configure wires from transmitter PCB to Stopper PCB.

CONTINUOUS SIGNALLING (DEFAULT FOR STI-6400WIR)

Add the blue "NC" wire to the existing reed switch wire only on the left RS1 terminal next to the V+ terminal.

Important: Do not place in right RS1 terminal (Note: The RS1 terminal must be used together with the reed switch wire or these devices will not function properly.)

SIGNAL ONLY WITH ALARM SWITCH ON

Connect the blue "NC" wire and the green "COM" wire from transmitter PCB to the "NC" and "COM" terminals on Stopper PCB.

WHEN USING A +12VDC EXTERNAL POWER SOURCE

Connect the black "GD" and red "V+" wires on the transmitter PCB to the "GD" and "V+" on Stopper PCB terminals. External power also connects on "GD" and "V+" terminals.

4. (Fig. 3) Attach 9 Volt connector wires from Stopper PCB to transmitter PCB.
5. Attach 9 Volt connector wires coming off of transmitter PCB to 9 Volt battery.
6. Replace battery, reed switch, Stopper cover and tamperproof screw.

WIRELESS OPERATION

The STI WIRELESS RETRO PCB will send a wireless signal to an STI 433MHz 4-Channel Receiver or 8-Channel Receiver. The STI WIRELESS RETRO PCB sends an alert signal when the "NC" device status changes to open. It sends a restore-to-normal signal when the switch is closed.

NOTE: To enroll the wireless device signal into the receiver, please see the receiver installation instructions. Operating Temperature Range: 32° to 113°F (0° to 45°C)

IMPORTANT NOTICE

Changes or modifications not expressly approved by the manufacturer could void the user's authority to operate this equipment. This device complies with Part 15 of the FCC rules. Operation is subject to the following two conditions:

1. This device may not cause harmful interference.
2. This device must accept any interference that may be received, including interference that may cause undesired operation.

Le présent appareil est conforme aux CNR d'Industrie Canada applicables aux appareils radio exempts de licence. L'exploitation est autorisée aux deux conditions suivantes : (1) l'appareil ne doit pas produire de brouillage, et (2) l'utilisateur de l'appareil doit accepter tout brouillage radioélectrique subi, même si le brouillage est susceptible d'en compromettre le fonctionnement.

Three year warranty or a one year limited warranty (from date of purchase) on most products. See website for details. Electronic warranty form at www.sti-usa.com/wc14.

INSTALLATION OF STI-34071 STI Wireless Conversion Board for STI-6200 & STI-6400

All specifications and information shown were current as of publication and are subject to change without notice.

34071 NOV2012

