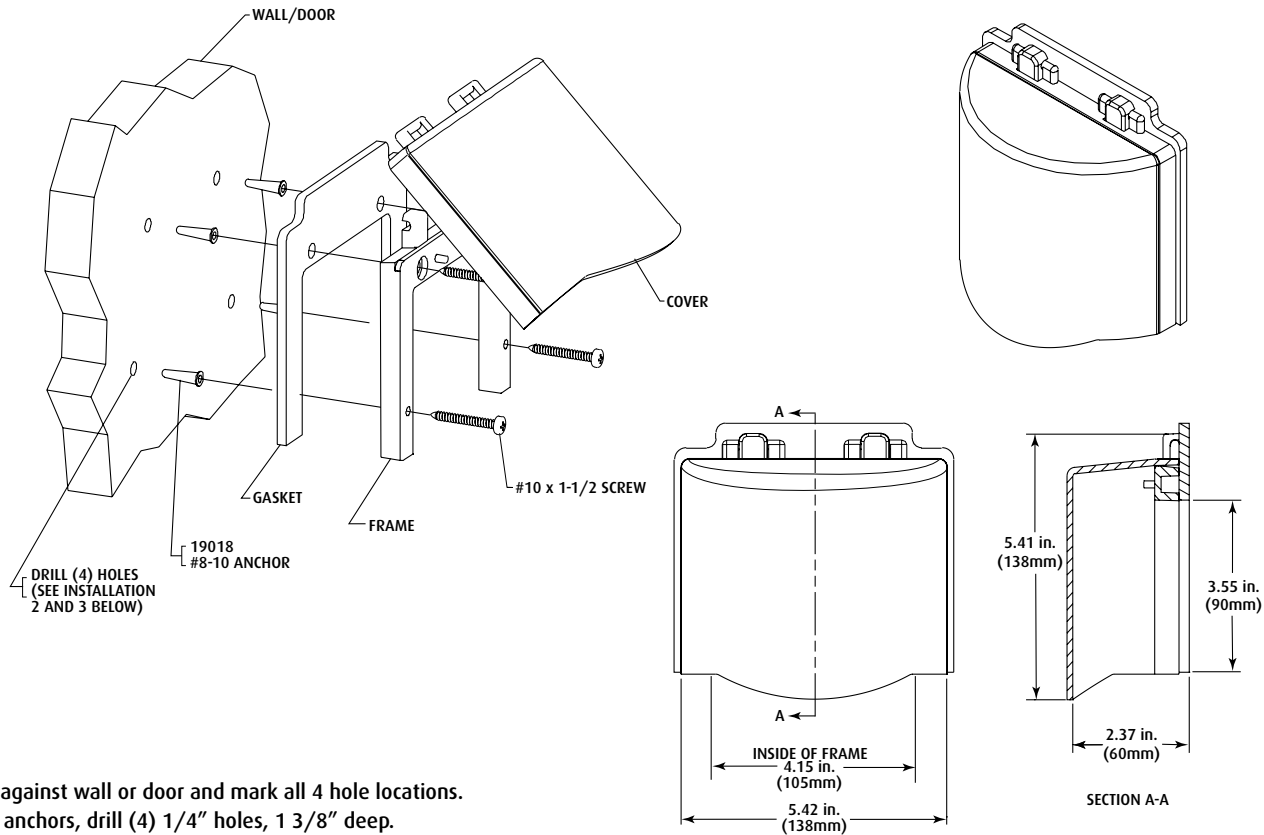




Safety Technology International, Inc.
2306 Airport Road • Waterford, Michigan 48327-1209
Phone: 248-673-9898 • Fax: 248-673-1246
Toll Free: 800-888-4784 • E-mail: info@sti-usa.com
Web: www.sti-usa.com

Safety Technology International (Europe) Ltd.
Unit 49G Pipers Road • Park Farm Industrial Estate • Redditch
Worcestershire • B98 0HU • England
Tel: 44 (0) 1527 520 999 • Fax: 44 (0) 1527 501 999
E-mail: info@sti-europe.com • Web: www.sti-europe.com



INSTALLATION:

1. Place frame in position against wall or door and mark all 4 hole locations.
2. Remove frame. If using anchors, drill (4) 1/4" holes, 1 3/8" deep.
If anchors are not used, drill (4) 5/32" holes, 1 3/8" deep.
3. Insert the #8-10 anchors (if used).
4. Align top 2 holes in gasket with top 2 anchor holes and apply gasket.
5. Place cover into frame hinge pockets, rotate cover open and fasten with #10 screws.

NOTE: Over tightening of screws may cause cover to NOT close.

Three year warranty or a one year limited warranty (from date of purchase) on most products. See website for details.
Electronic warranty form at www.sti-usa.com/wc14.

INSTALLATION OF STI-6528 BOPPER STOPPER® WEATHER COVER FOR STAND ALONE ACCESS CONTROL

All specifications and information shown were current as of publication and are subject to change without notice.

STI-6528IS JAN 2000

